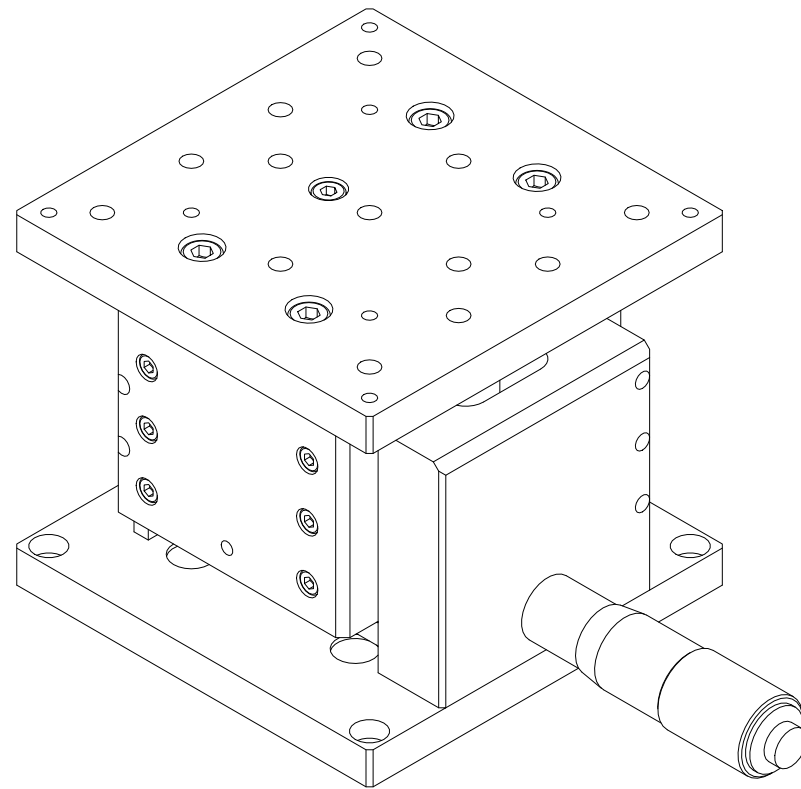


SPECIFICATION

Axis	Z-Horizontal	-
Table size	100*100	[mm]
Travel Range	± 12.5	[mm]
Mechanical Type	Micrometer Head	-
Resolution	0.01	[mm]
Guide Mechanism	Cross Roller Guide	-
Parallelism	0.05	[mm]
Perpendicularity	0.01	[mm]
Materials / Finish	Aluminium / Black Ano	-
Load Capacity	6	[kgf]
Product Weight	0.6	[kg]



UNIT	MM		JAEWON JAEWON.CO.,LTD.	TITLE	H-100-AMC