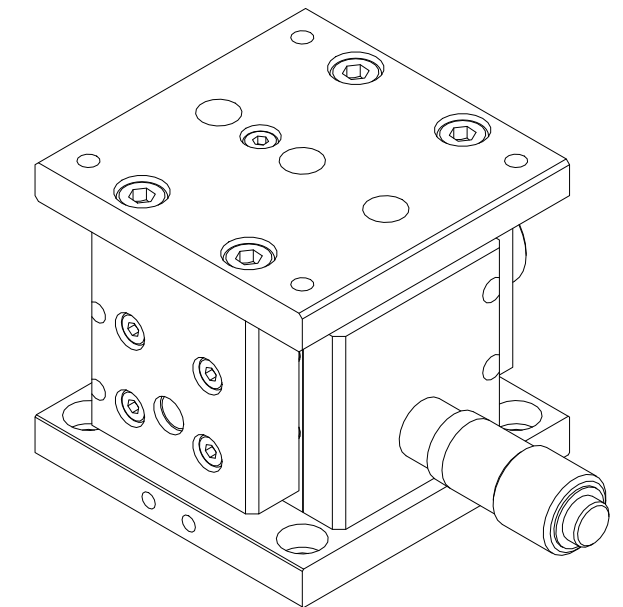
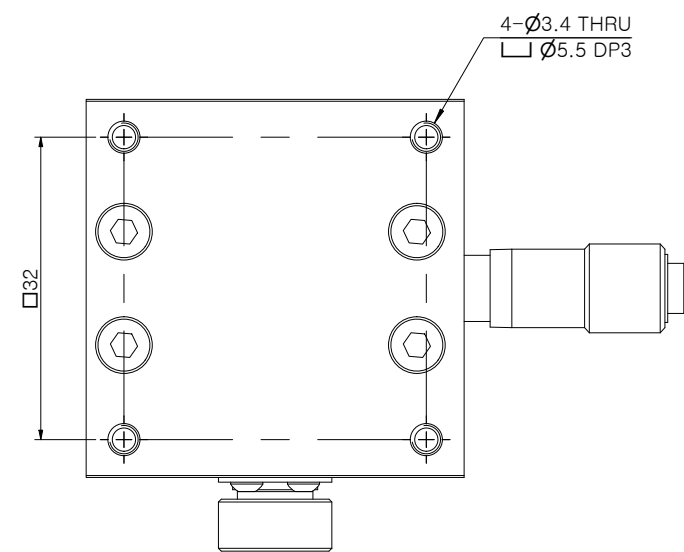
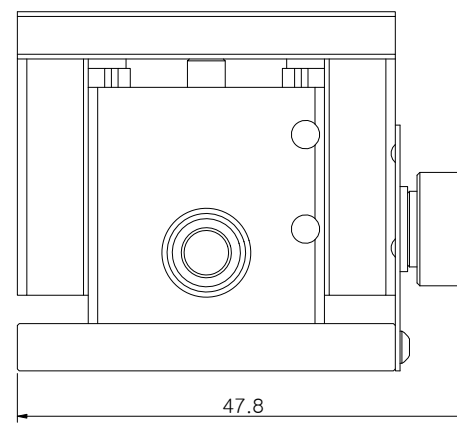
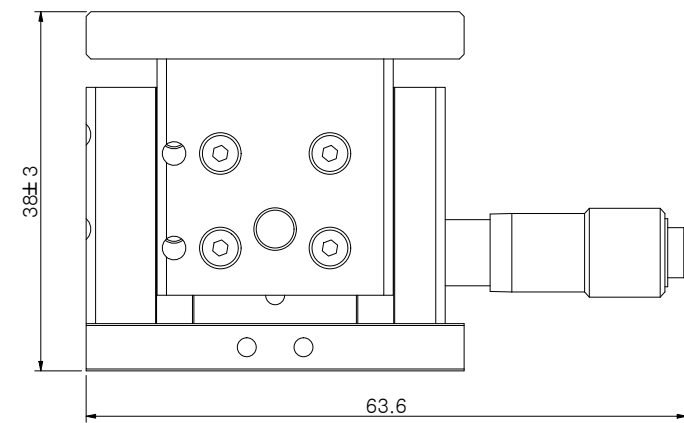
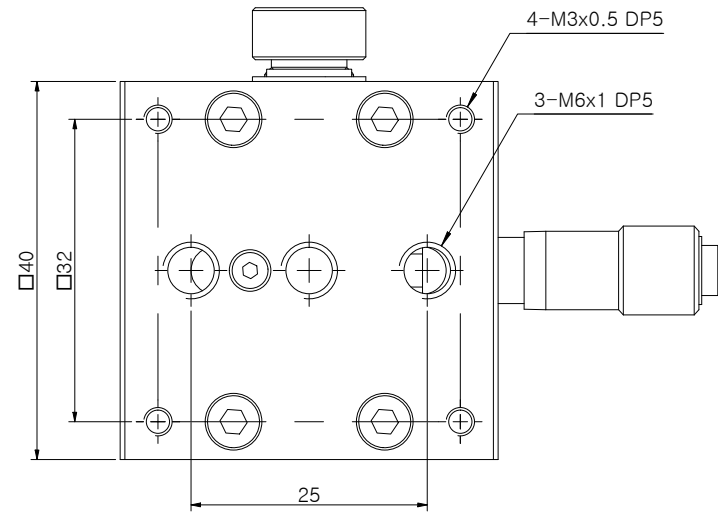


SPECIFICATION

Axis	Z-Horizontal	-
Table size	40*40	[mm]
Travel Range	± 3	[mm]
Mechanical Type	Micrometer Head	-
Resolution	0.01	[mm]
Guide Mechanism	Cross Roller Guide	-
Parallelism	0.05	[mm]
Perpendicularity	0.01	[mm]
Materials / Finish	Aluminium / Black Ano	-
Load Capacity	1	[kgf]
Product Weight	0.2	[kg]



UNIT	MM	 JAEWON JAEWON.CO.,LTD.	TITLE	H-40-AMC
				