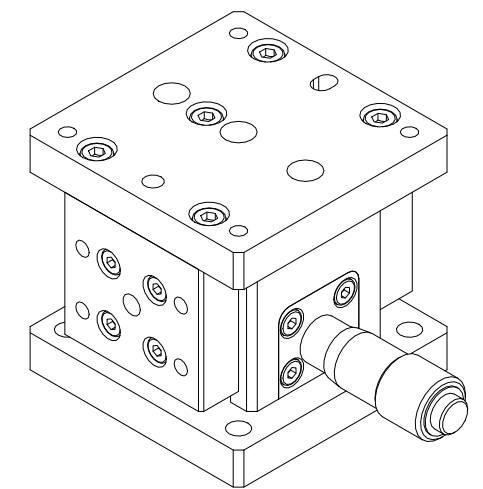
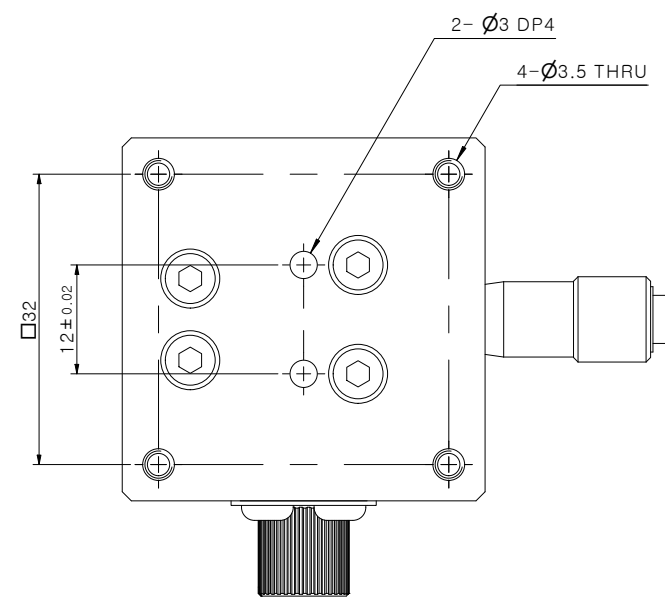
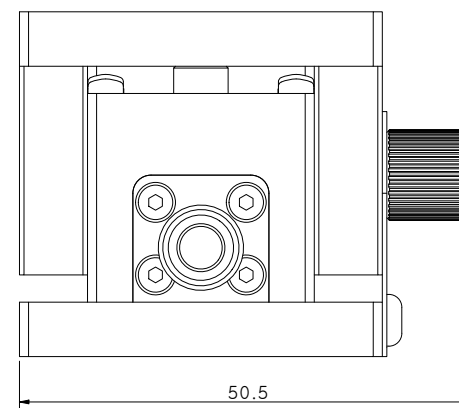
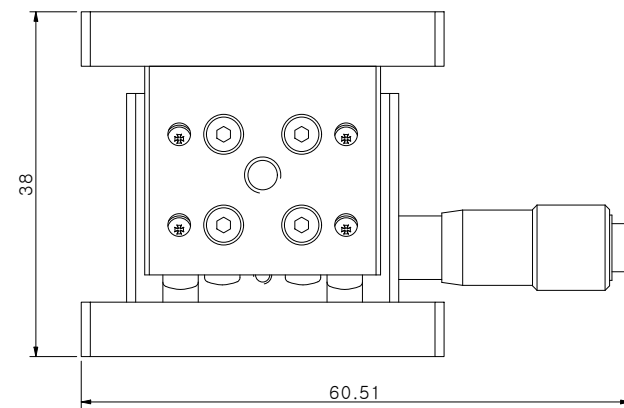
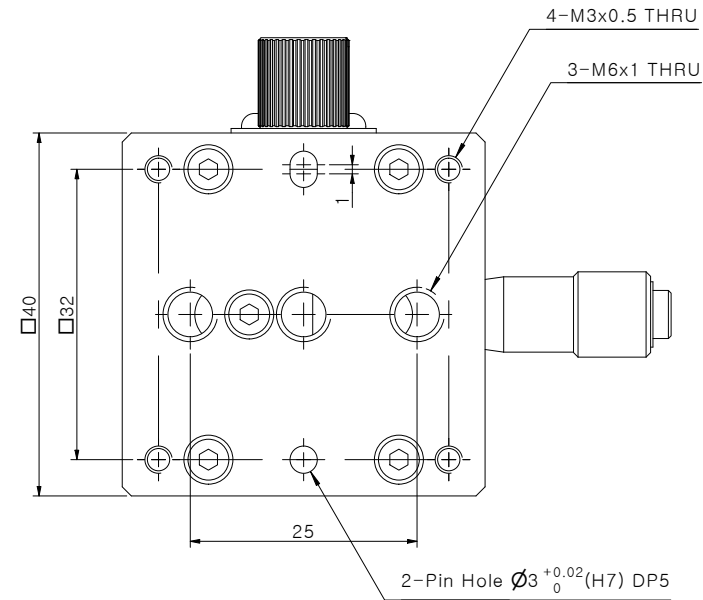


### SPECIFICATION

Axis	Z-Horizontal	-
Table size	40*40	[ mm ]
Travel Range	± ±3	[ mm ]
Mechanical Type	Micrometer Head	-
Resolution	0.01	[ mm ]
Guide Mechanism	Cross Roller Guide	-
Parallelism	0.05	[ mm ]
Perpendicularity	0.01	[ mm ]
Materials / Finish	Steel / Black Oxide	-
Load Capacity	1	[ kgf ]
Product Weight	0.3	[ kg ]



UNIT	MM	 <b>JAEWON</b> JAEWON.CO.,LTD.	TITLE	H-40-TMC
				