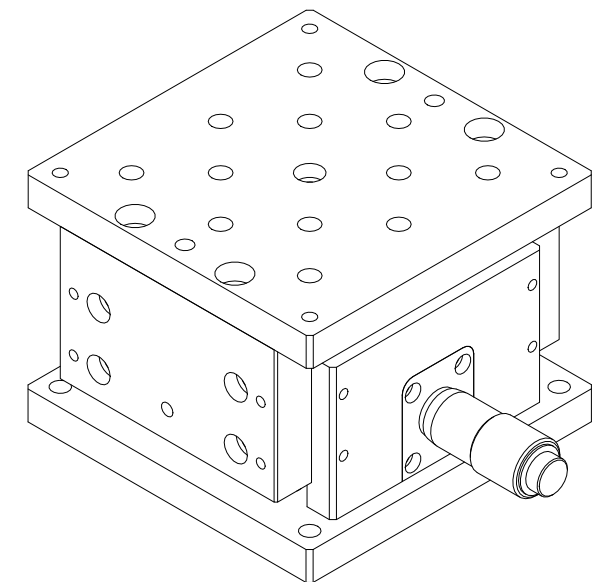
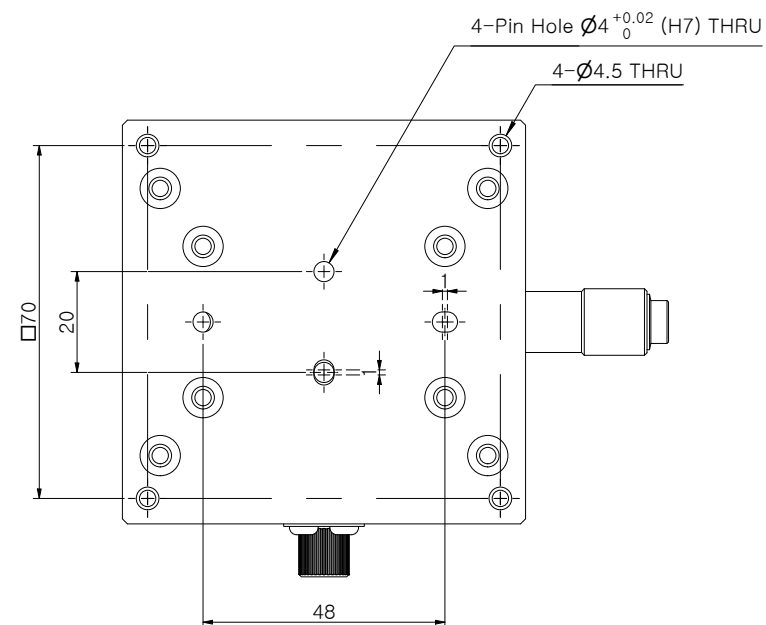
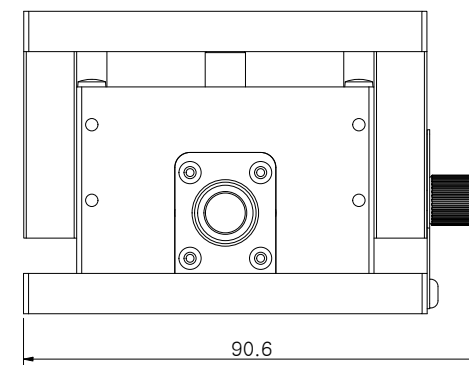
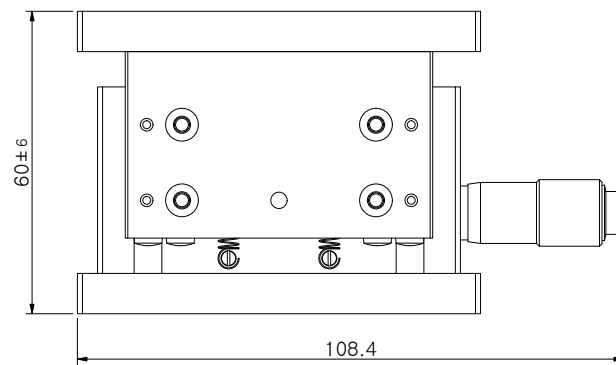
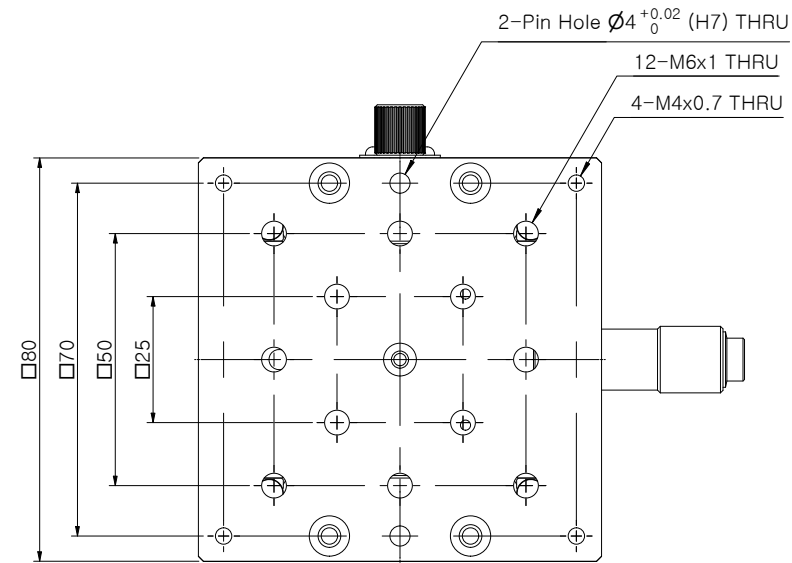


## SPECIFICATION

Axis	Z-Horizontal	-
Table size	80*80	[ mm ]
Travel Range	± 6	[ mm ]
Mechanical Type	Micrometer Head	-
Resolution	0.01	[ mm ]
Guide Mechanism	Cross Roller Guide	-
Parallelism	0.05	[ mm ]
Perpendicularity	0.01	[ mm ]
Materials / Finish	Aluminium / Black Ano	-
Load Capacity	4	[ kgf ]
Product Weight	0.5	[ kg ]



UNIT	MM	<b>JAEWON</b> JAEWON.CO.,LTD.	TITLE	H-80-AMC