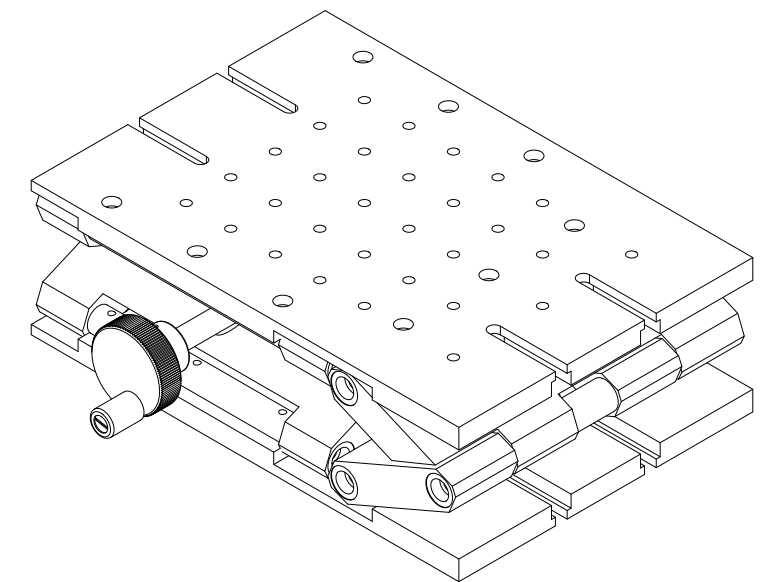
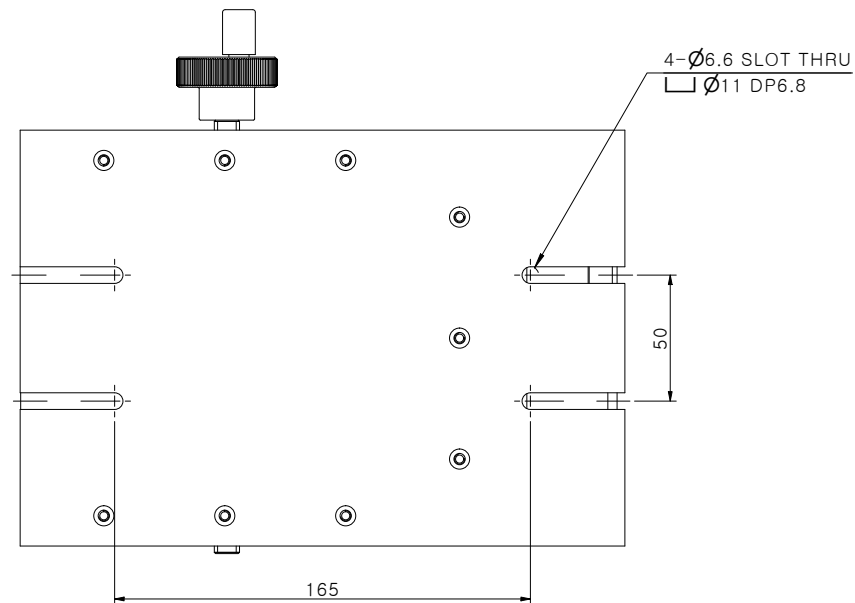
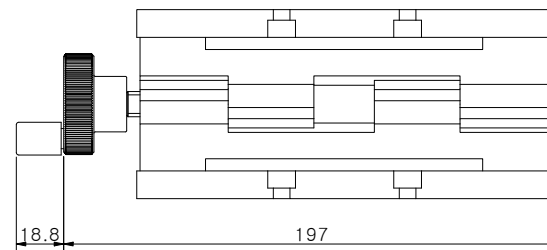
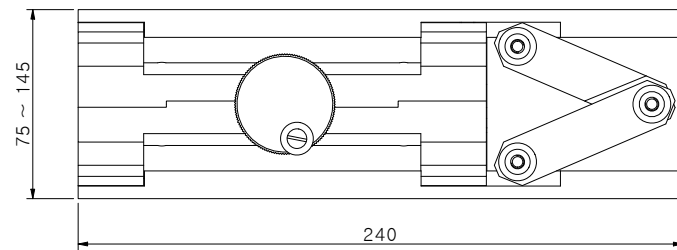
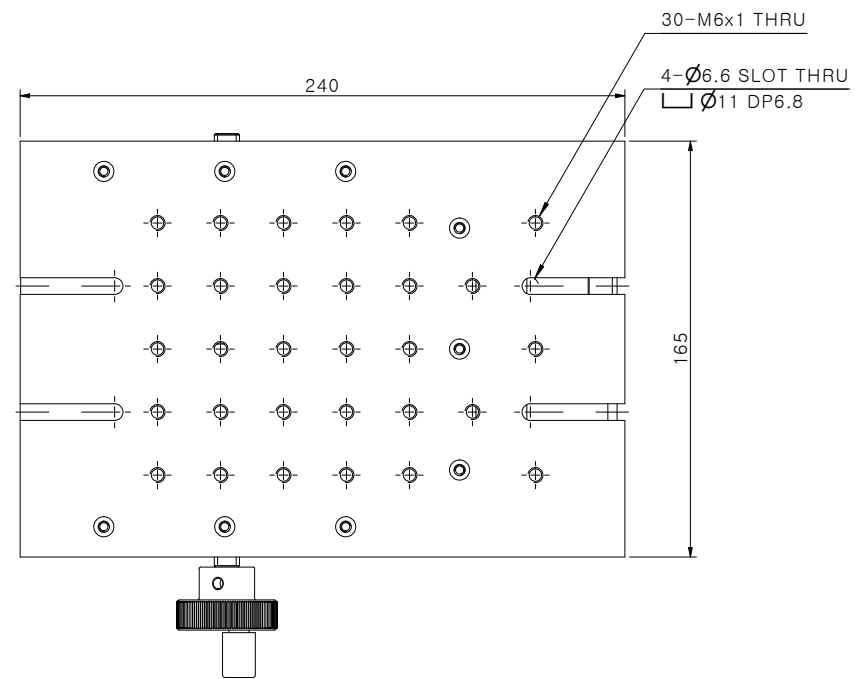


SPECIFICATION

Axis	Z-Horizontal	-
Table size	165 * 240	[mm]
Travel Range	70	[mm]
Mechanical Type	Lead Screw	-
Parallelism	0.3	[mm]
Materials / Finish	Aluminium / Black Ano	-
Load Capacity	30	[kgf]
Product Weight	6	[kg]



UNIT	MM	JAEWON JAEWON.CO.,LTD.	TITLE	LJ-70