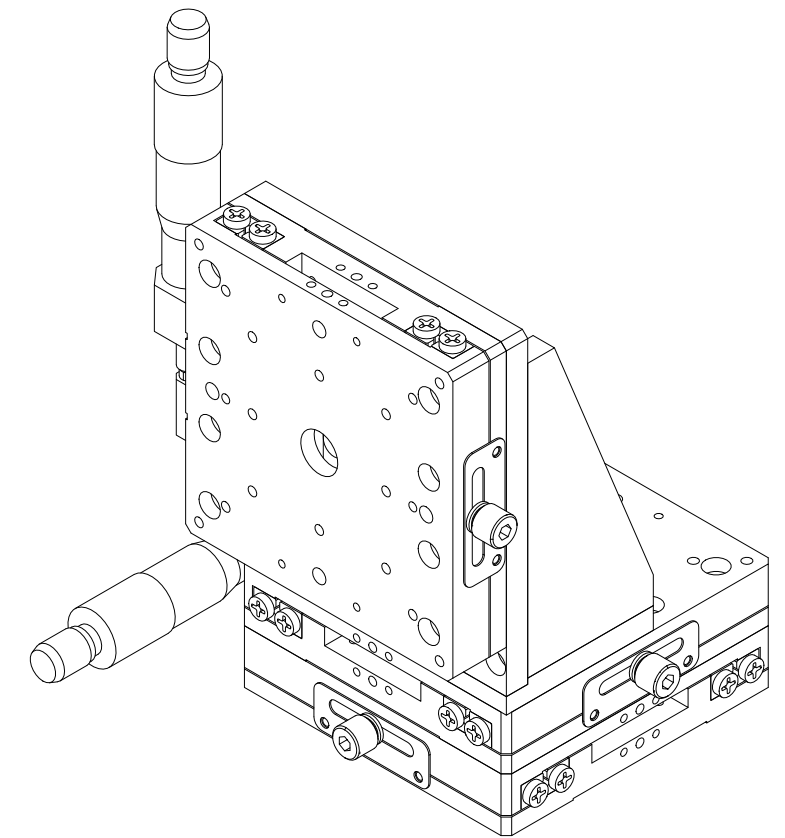
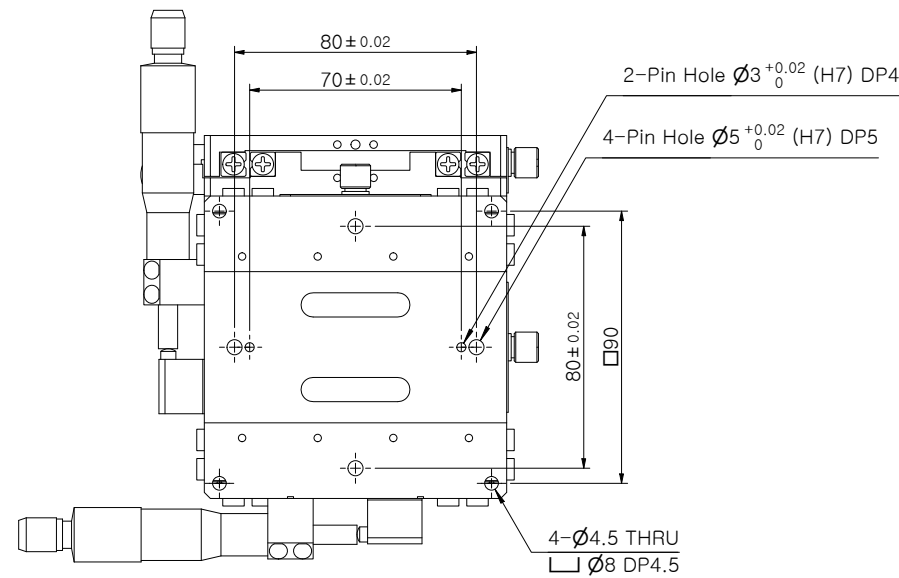
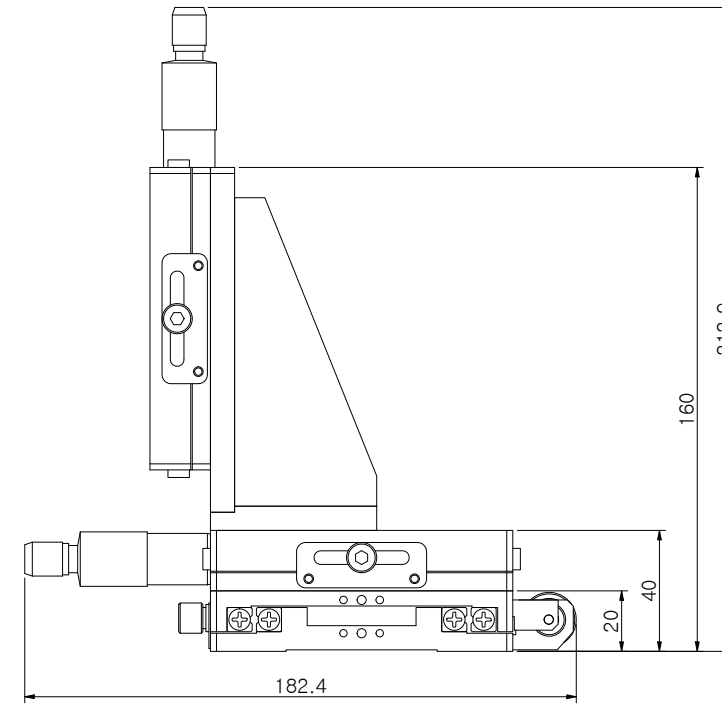
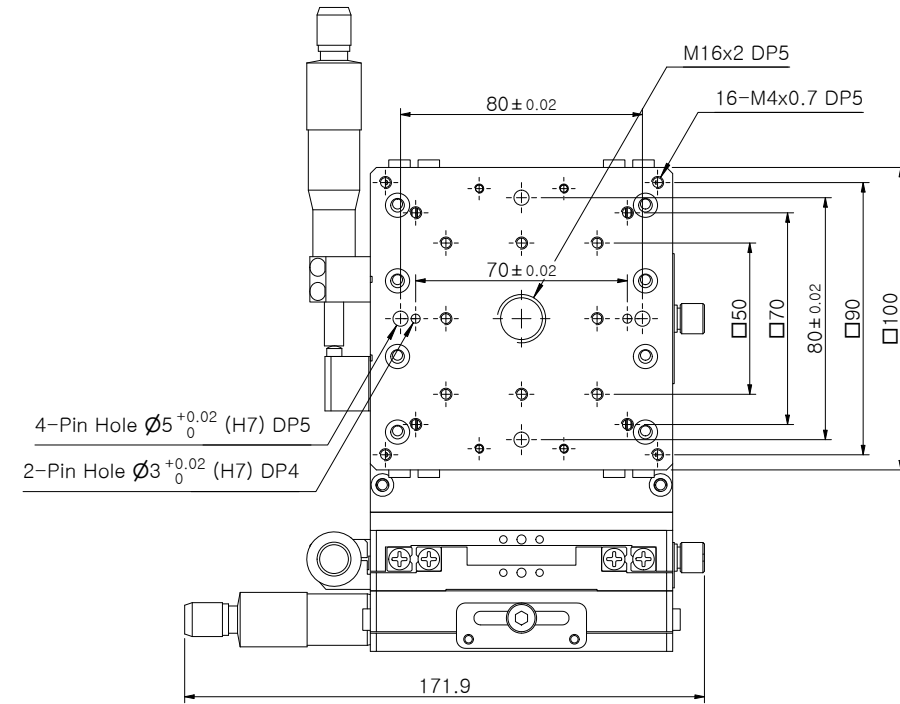


## SPECIFICATION

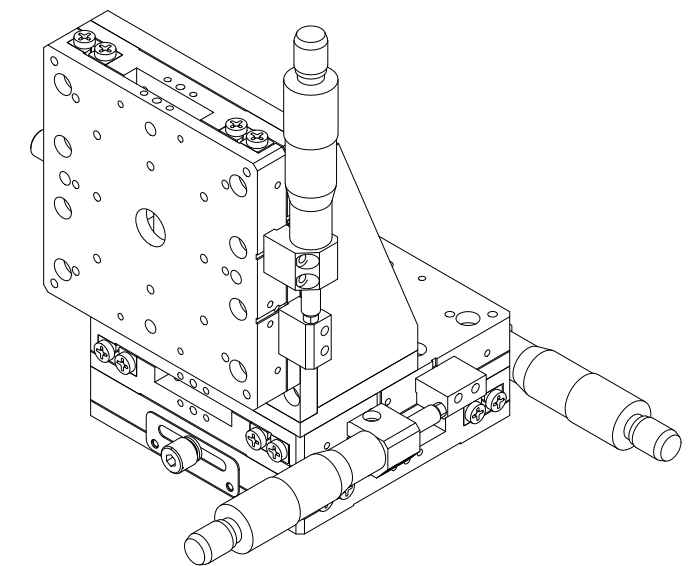
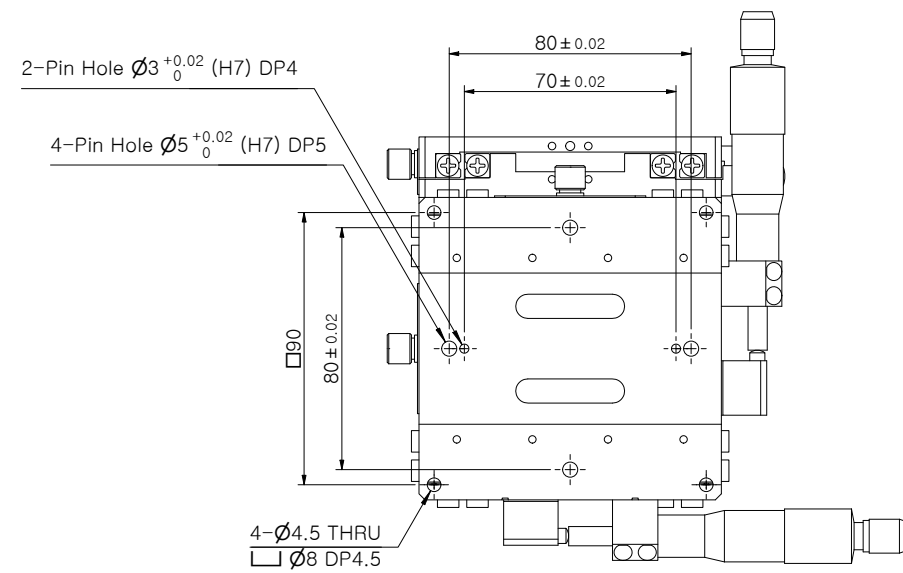
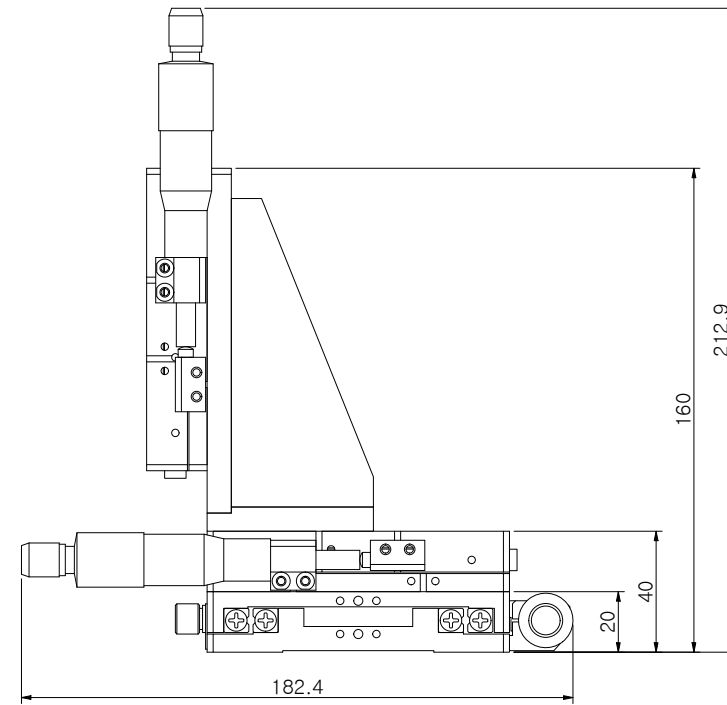
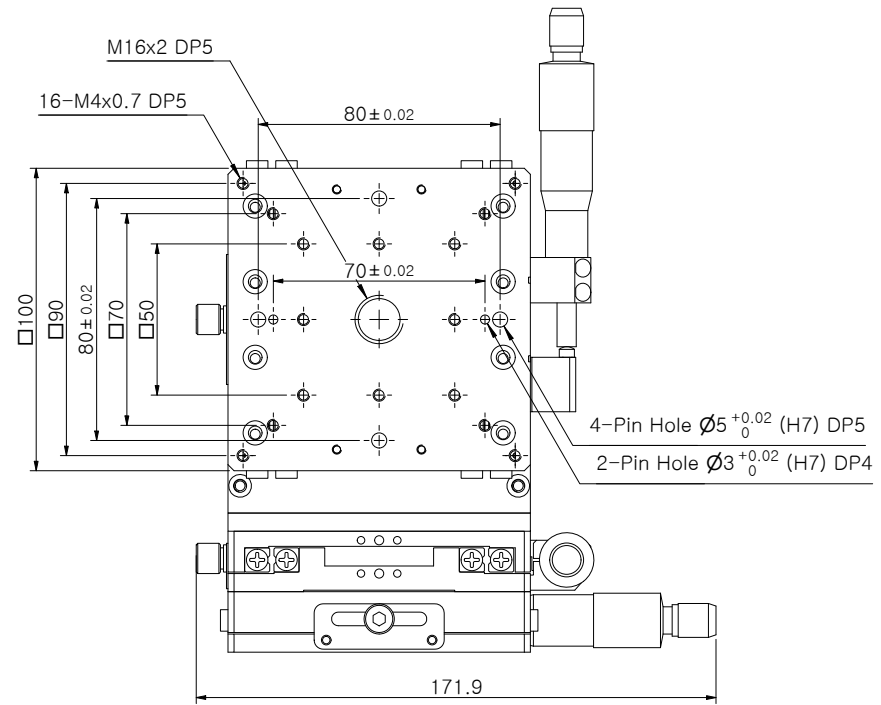
Axis	XYZ-Vertical	-
Table size	100*100	[ mm ]
Travel Range	± 12.5	[ mm ]
Mechanical Type	Micrometer Head	-
Resolution	0.01	[ mm ]
Guide Mechanism	Cross Roller Guide	-
Parallelism	0.03	[ mm ]
Running Parallelism	0.015	[ mm ]
Straightness	0.005	[ mm ]
Materials / Finish	Aluminium / Black Ano	-
Load Capacity	3	[ kgf ]
Product Weight	2.4	[ kg ]



UNIT	MM	<b>JAEWON</b> JAEWON.CO.,LTD.	TITLE	XYZ-100-AMC-LLL

## SPECIFICATION

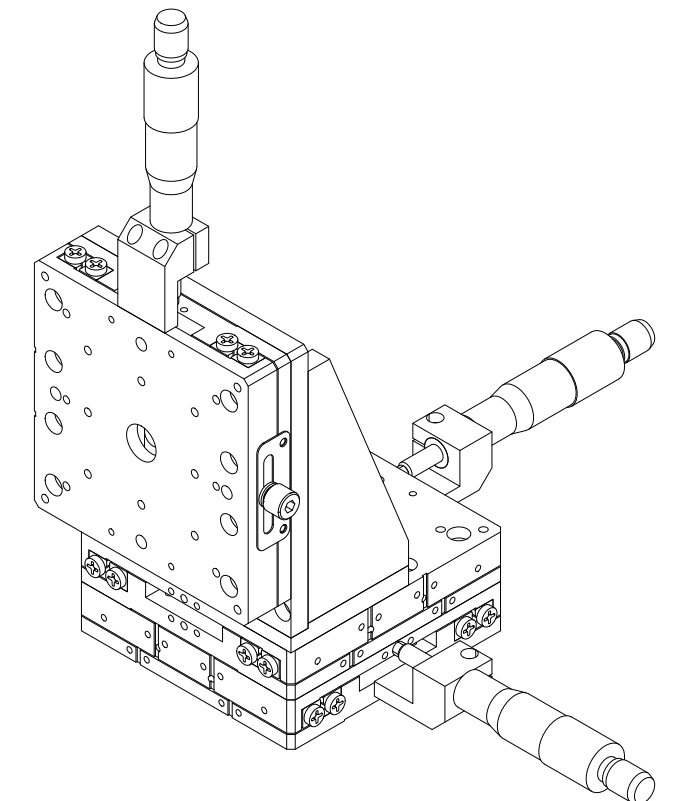
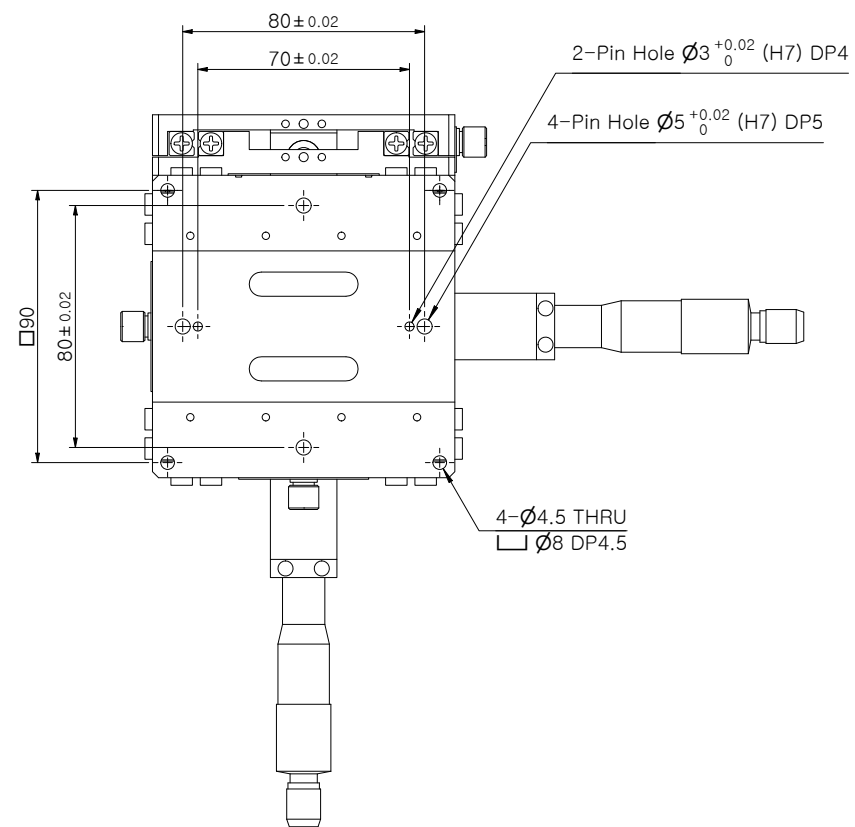
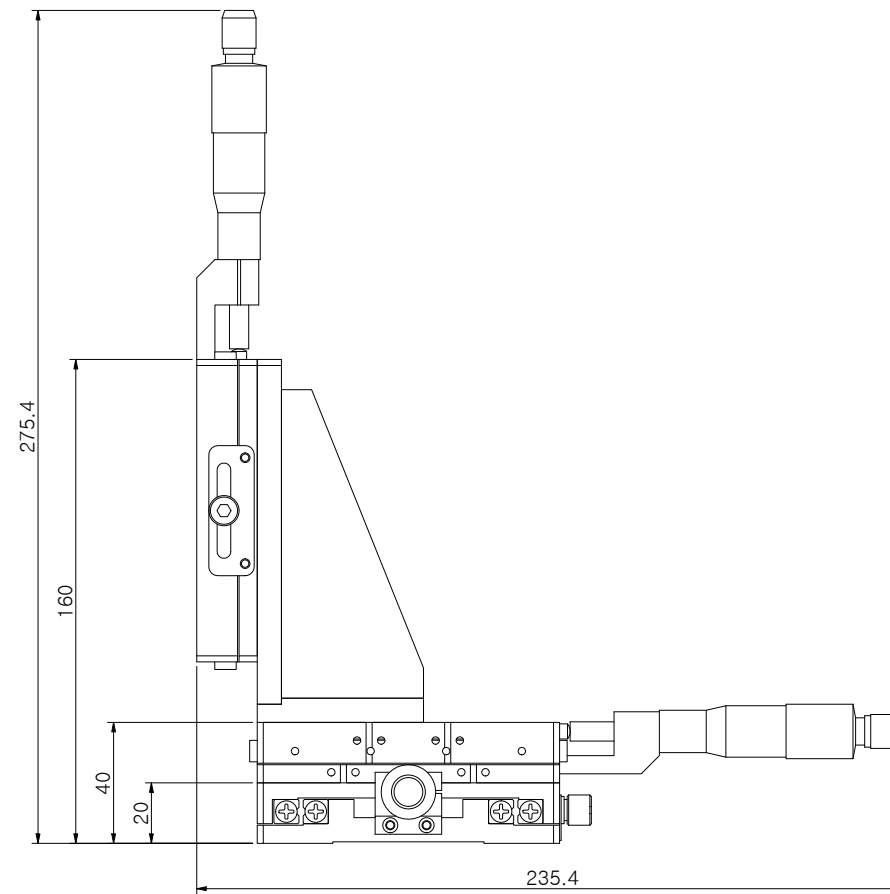
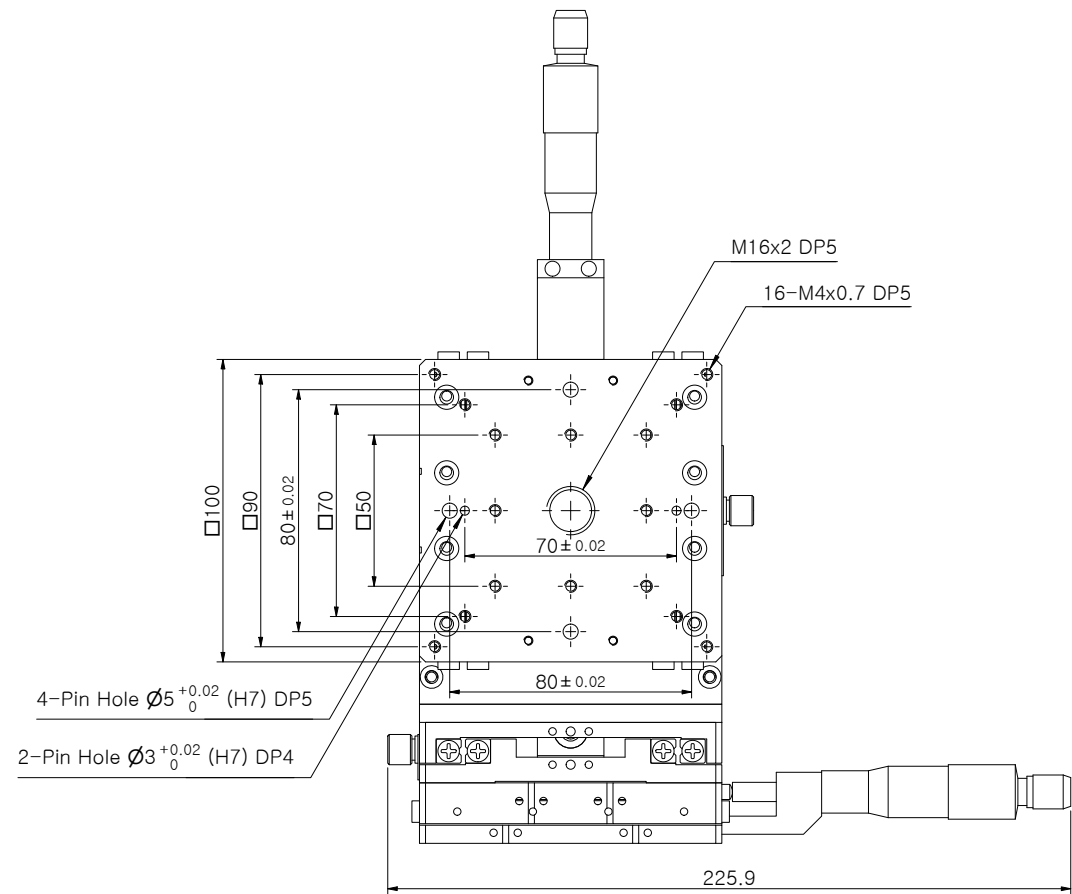
Axis	XYZ	-
Table size	100*100	[ mm ]
Travel Range	± 12.5	[ mm ]
Mechanical Type	Micrometer Head	-
Resolution	0.01	[ mm ]
Guide Mechanism	Cross Roller Guide	-
Parallelism	0.03	[ mm ]
Running Parallelism	0.015	[ mm ]
Straightness	0.005	[ mm ]
Materials / Finish	Aluminium / Black Ano	-
Load Capacity	3	[ kgf ]
Product Weight	2.4	[ kg ]



UNIT	MM	 <b>JAEWON</b> JAEWON.CO.,LTD.	TITLE	XYZ-100-AMC-RRR
				

## SPECIFICATION

Axis	XYZ-Vertical	-
Table size	100*100	[ mm ]
Travel Range	± 12.5	[ mm ]
Mechanical Type	Micrometer Head	-
Resolution	0.01	[ mm ]
Guide Mechanism	Cross Roller Guide	-
Parallelism	0.03	[ mm ]
Running Parallelism	0.015	[ mm ]
Straightness	0.005	[ mm ]
Materials / Finish	Aluminium / Black Ano	-
Load Capacity	3	[ kgf ]
Product Weight	2.4	[ kg ]



UNIT	MM	<b>JAEWON</b> JAEWON.CO.,LTD.	TITLE	XYZ-100-AMC-CCC