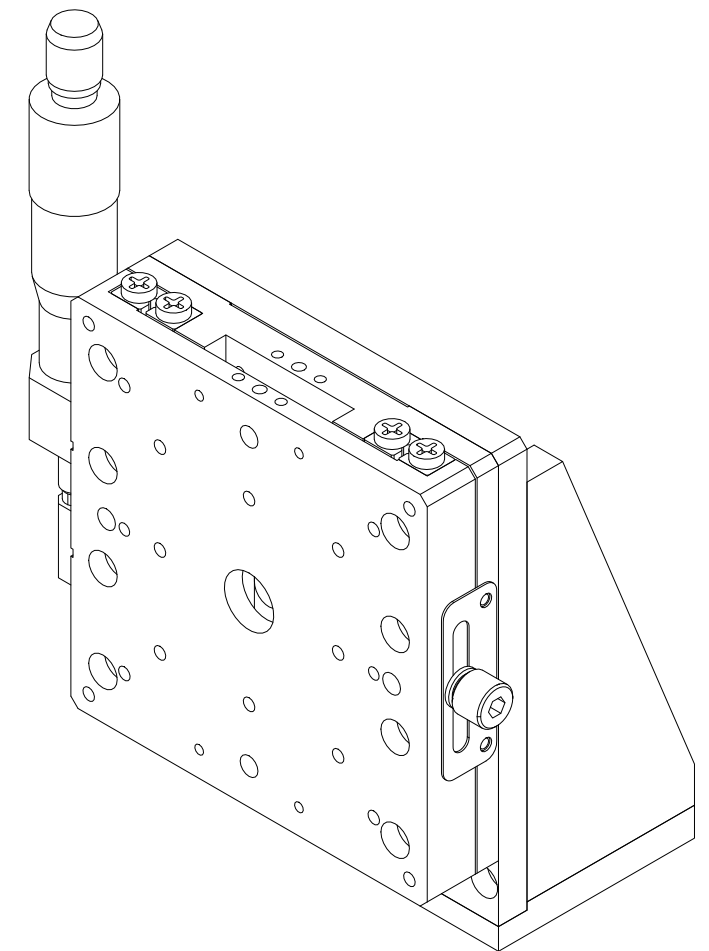
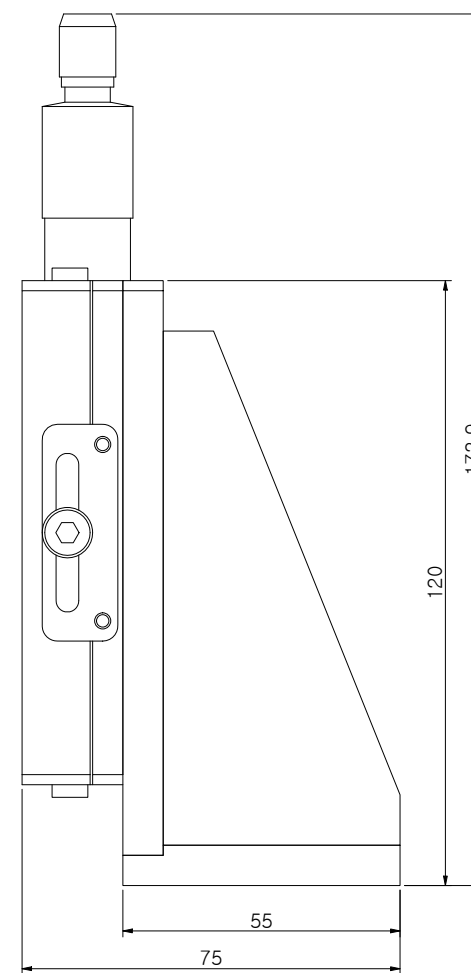
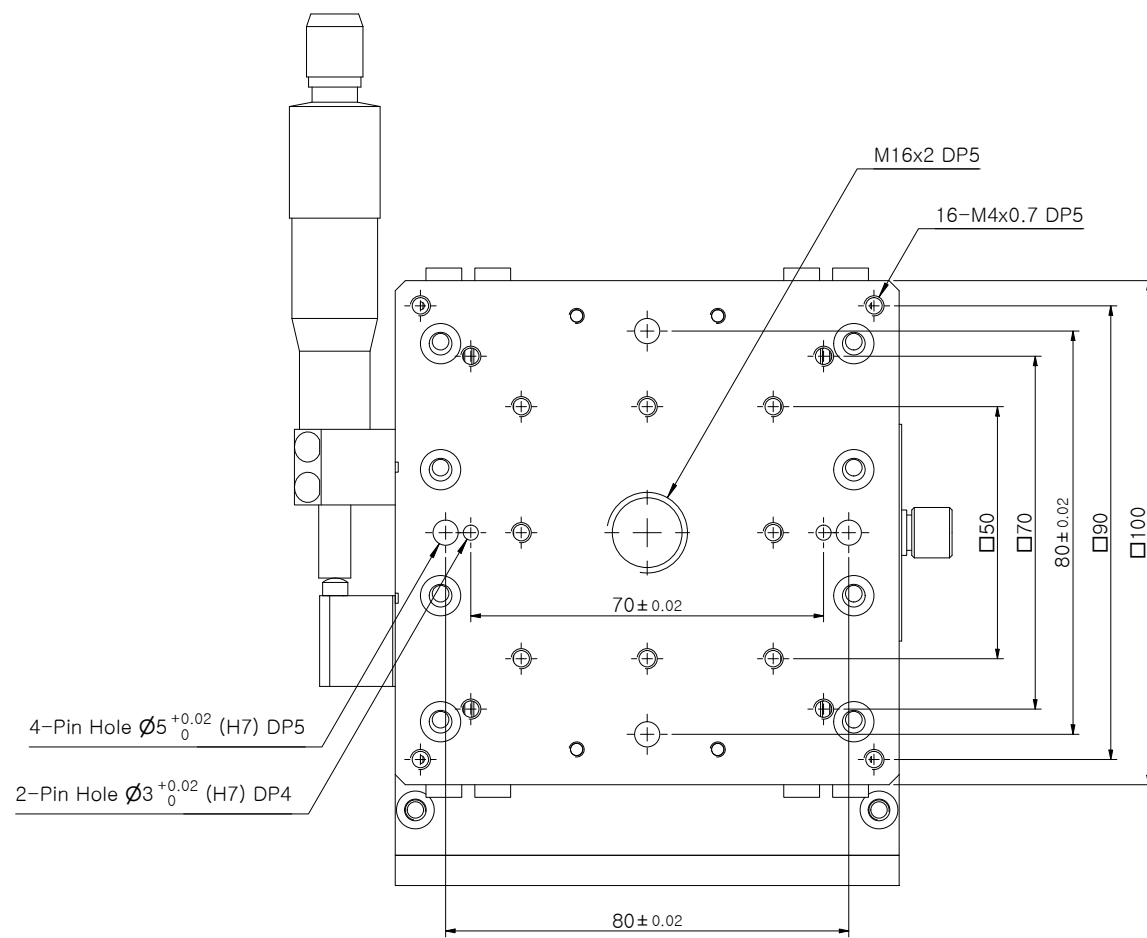
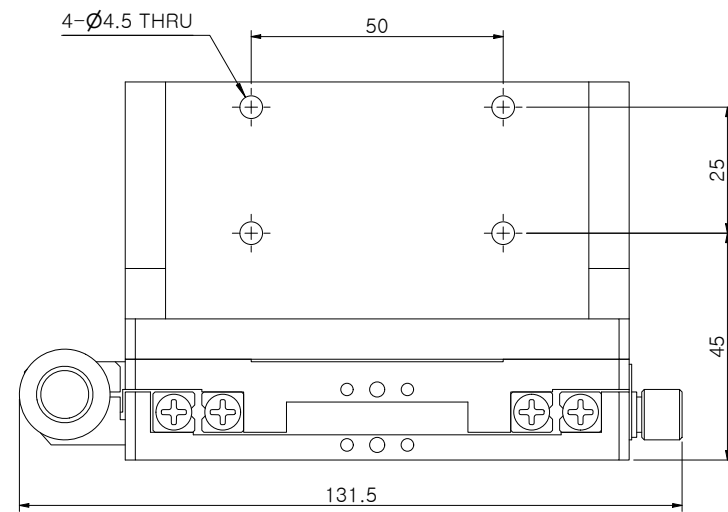


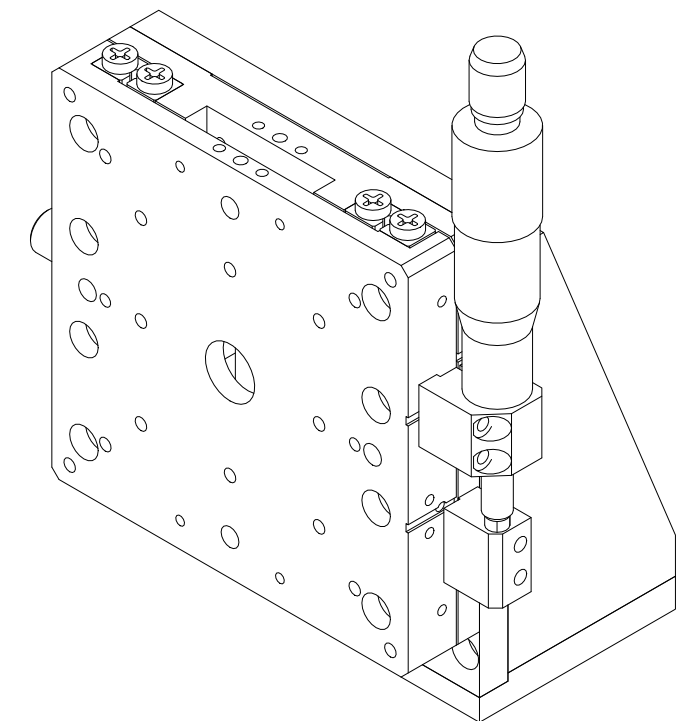
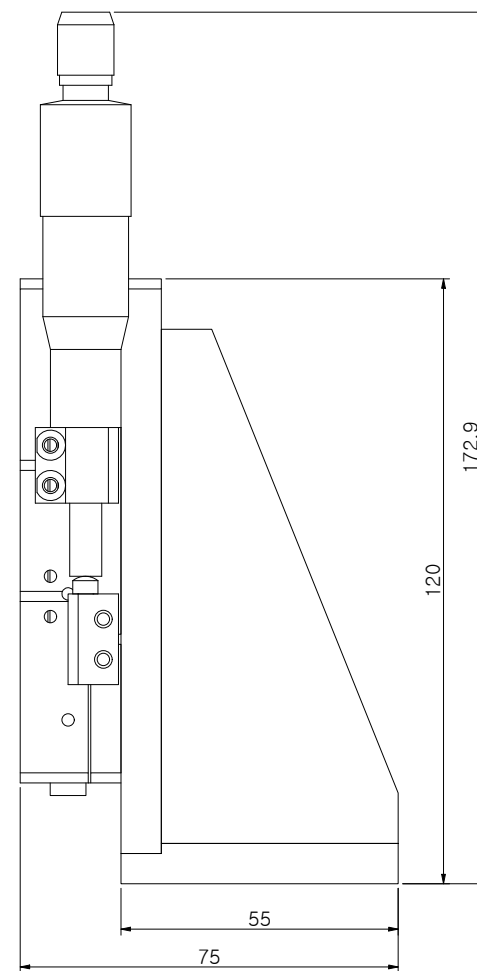
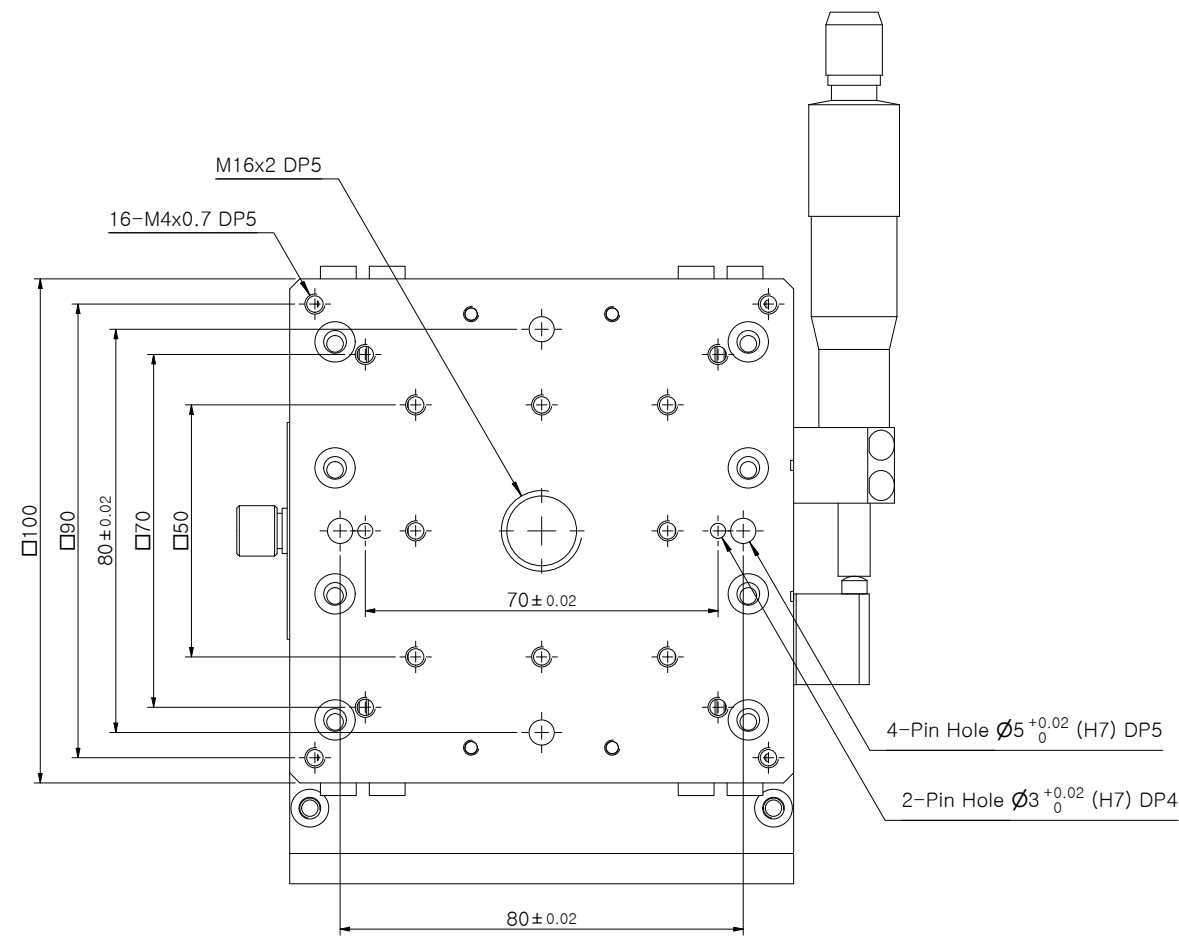
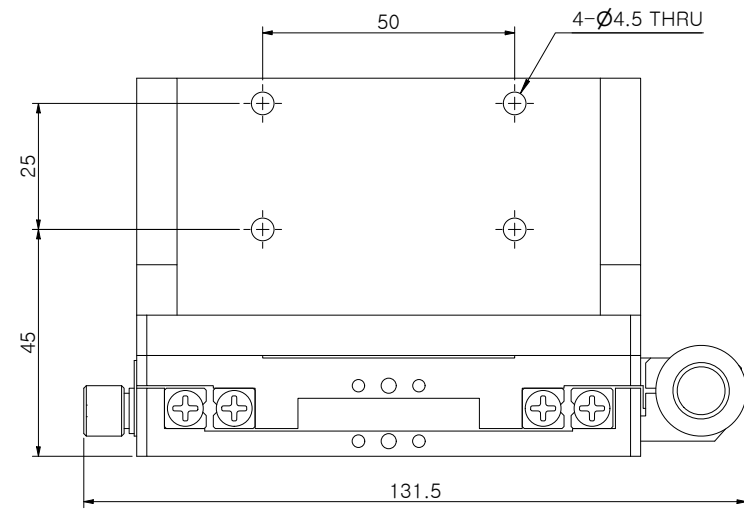
### SPECIFICATION

Axis	Z-Vertical	-
Table size	100*100	[ mm ]
Travel Range	± 12.5	[ mm ]
Mechanical Type	Micrometer Head	-
Resolution	0.01	[ mm ]
Guide Mechanism	Cross Roller Guide	-
Parallelism	0.03	[ mm ]
Running Parallelism	0.015	[ mm ]
Straightness	0.005	[ mm ]
Materials / Finish	Aluminium / Black Ano	-
Load Capacity	3	[ kgf ]
Product Weight	0.8	[ kg ]



## SPECIFICATION

Axis	Z-Vertical	-
Table size	100*100	[ mm ]
Travel Range	± 12.5	[ mm ]
Mechanical Type	Micrometer Head	-
Resolution	0.01	[ mm ]
Guide Mechanism	Cross Roller Guide	-
Parallelism	0.03	[ mm ]
Running Parallelism	0.015	[ mm ]
Straightness	0.005	[ mm ]
Materials / Finish	Aluminium / Black Ano	-
Load Capacity	3	[ kgf ]
Product Weight	0.8	[ kg ]



UNIT	MM

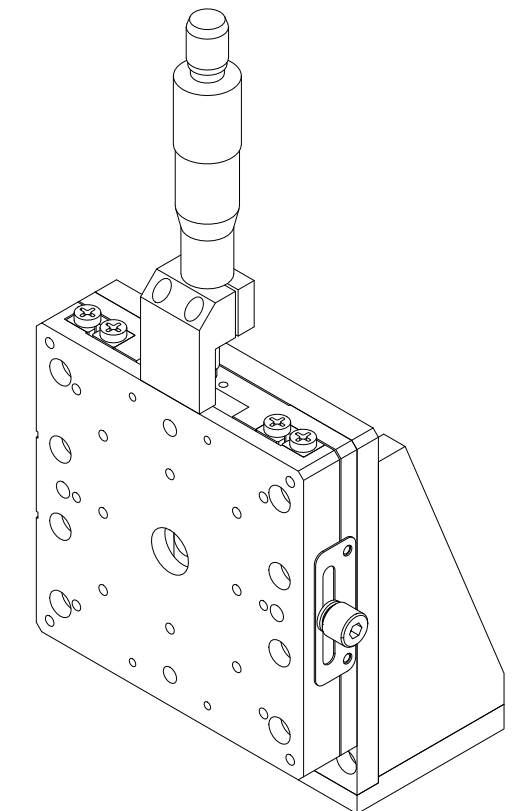
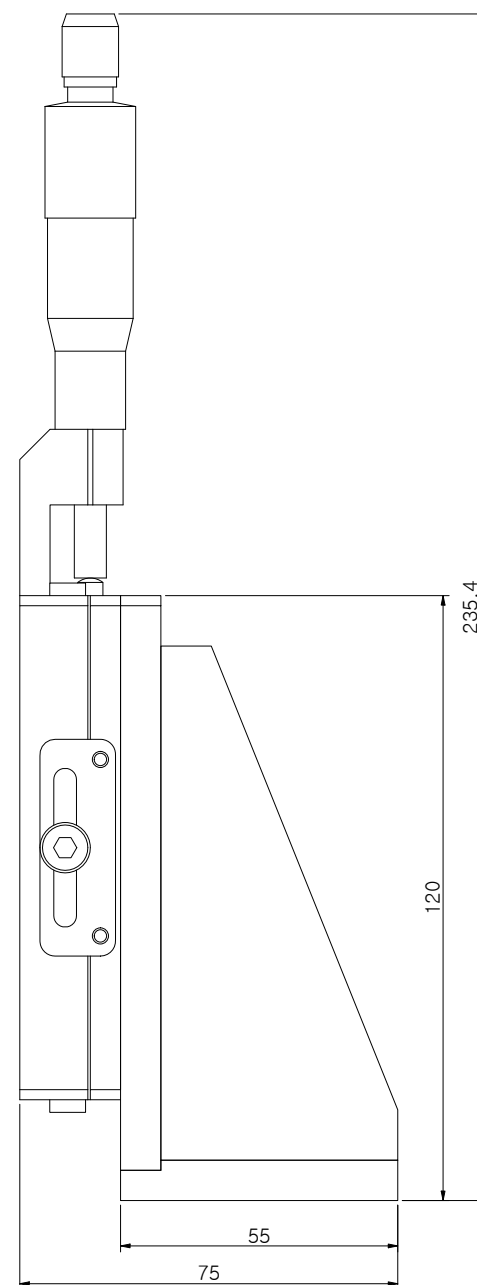
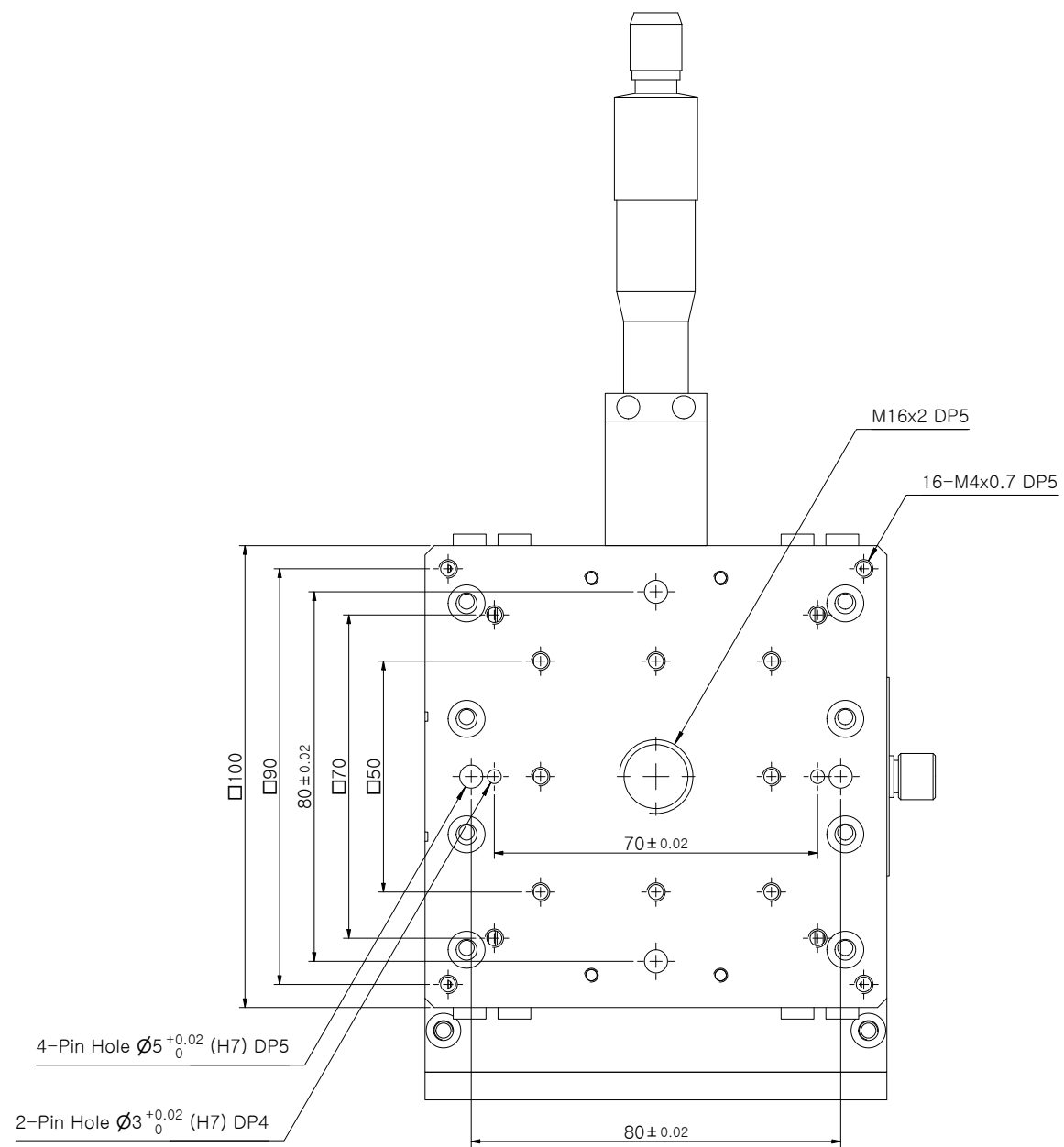
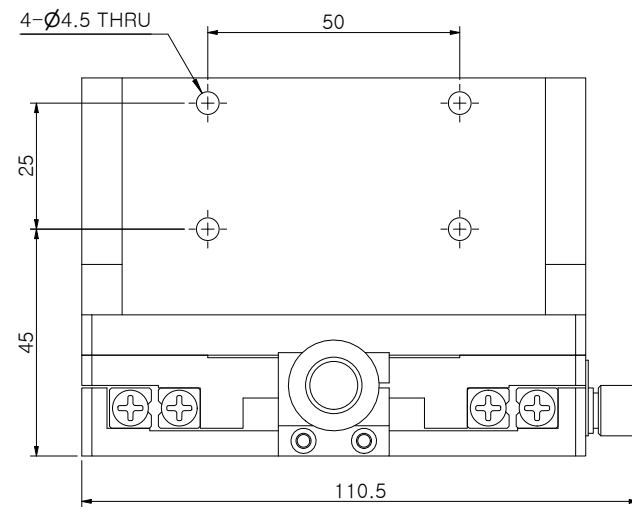
**JAEWON**  
JAEWON.CO.,LTD.

TITLE

Z-100-AMC-R

## SPECIFICATION

Axis	Z-Vertical	-
Table size	100*100	[ mm ]
Travel Range	± 12.5	[ mm ]
Mechanical Type	Micrometer Head	-
Resolution	0.01	[ mm ]
Guide Mechanism	Cross Roller Guide	-
Parallelism	0.03	[ mm ]
Running Parallelism	0.015	[ mm ]
Straightness	0.005	[ mm ]
Materials / Finish	Aluminium / Black Ano	-
Load Capacity	3	[ kgf ]
Product Weight	0.8	[ kg ]



UNIT	MM	<b>JAEWON</b> JAEWON.CO.,LTD.	TITLE	Z-100-AMC-C