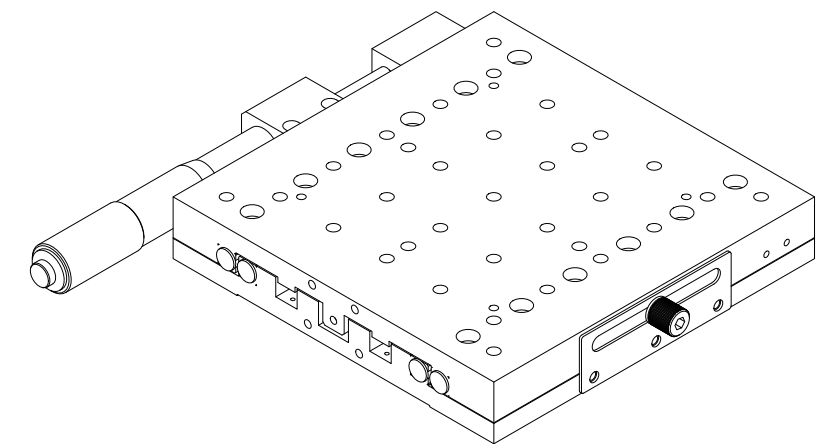


SPECIFICATION

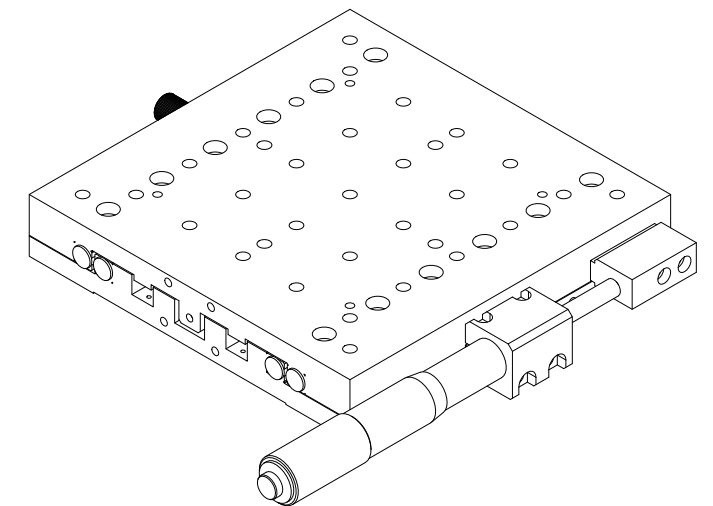
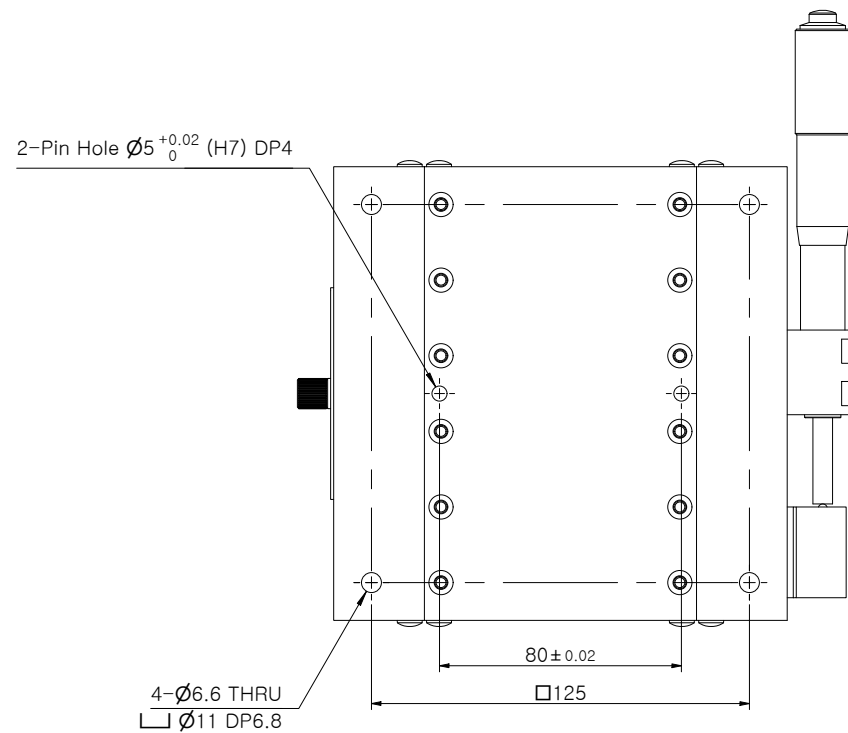
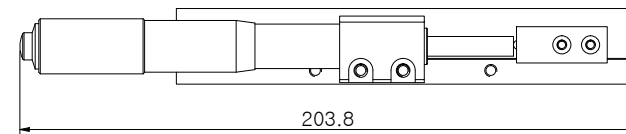
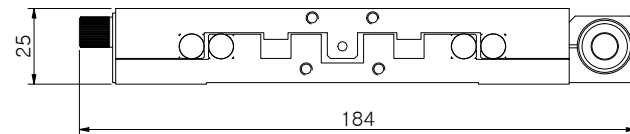
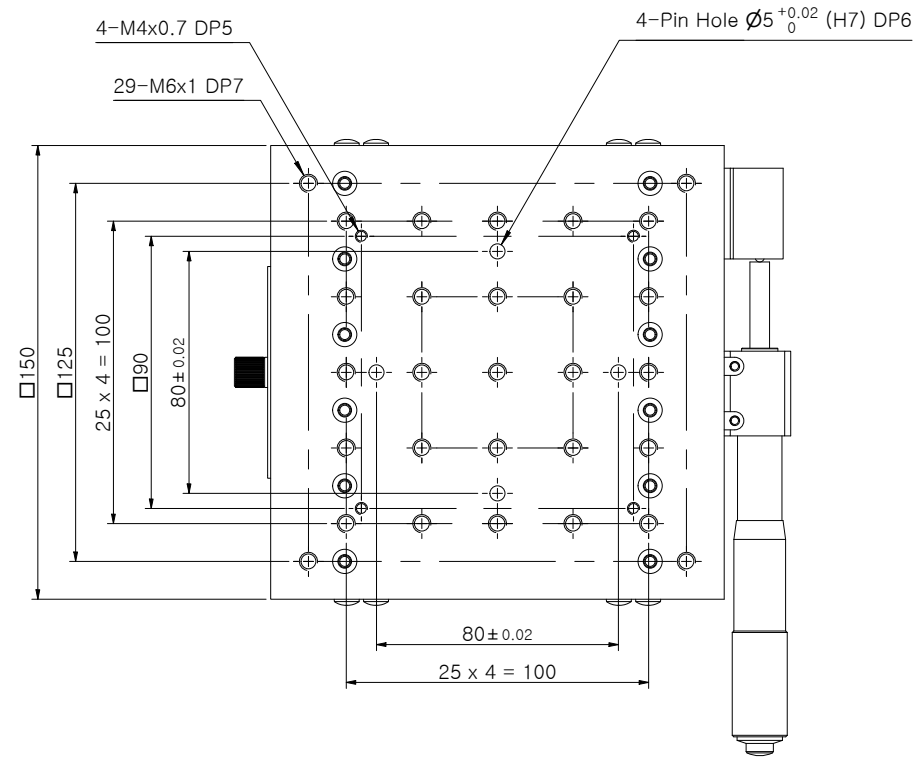
| | | |
|---------------------|-----------------------|---------|
| Axis | X | - |
| Table size | 150*150 | [mm] |
| Travel Range | ± 25 | [mm] |
| Mechanical Type | Micrometer Head | - |
| Resolution | 0.01 | [mm] |
| Guide Mechanism | Cross Roller Guide | - |
| Parallelism | 0.03 | [mm] |
| Running Parallelism | 0.02 | [mm] |
| Straightness | 0.015 | [mm] |
| Materials / Finish | Aluminium / Black Ano | - |
| Load Capacity | 23 | [kgf] |
| Product Weight | 1.8 | [kg] |



| | | | | |
|------|----|--|-------|-------------|
| UNIT | MM | | TITLE | X-150-AMC-L |
| | | | | |

SPECIFICATION

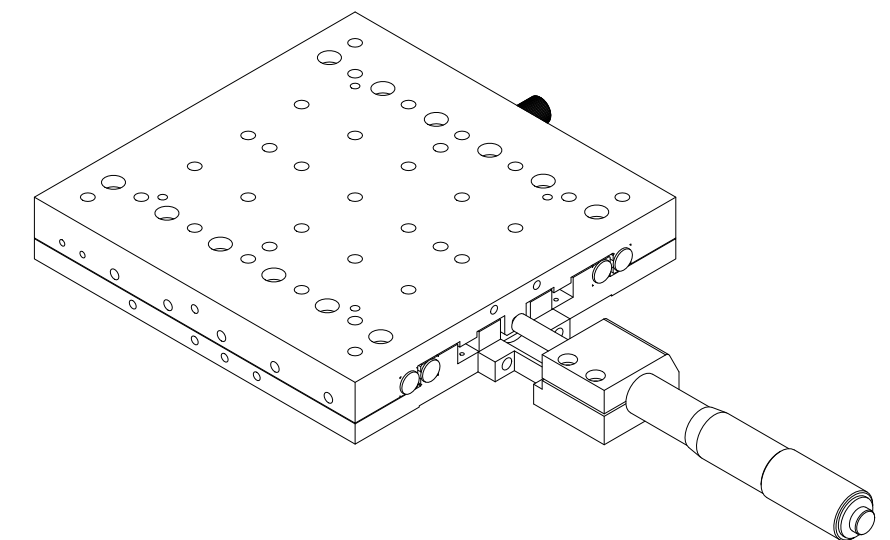
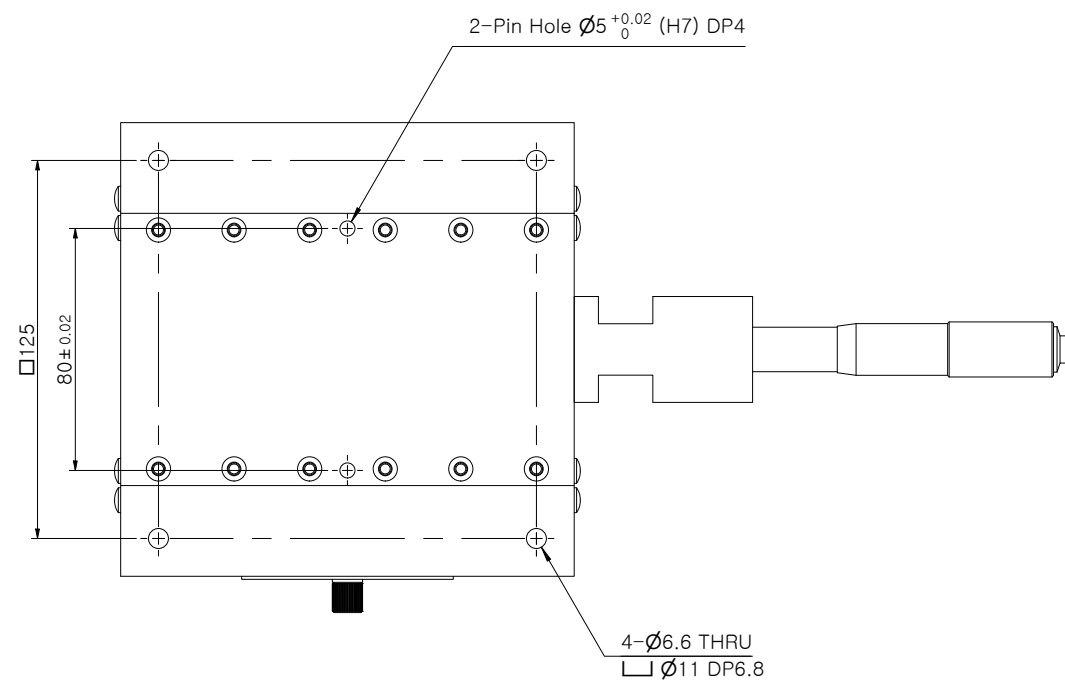
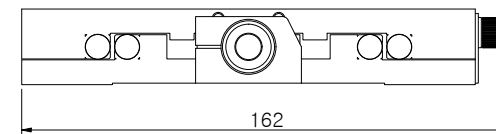
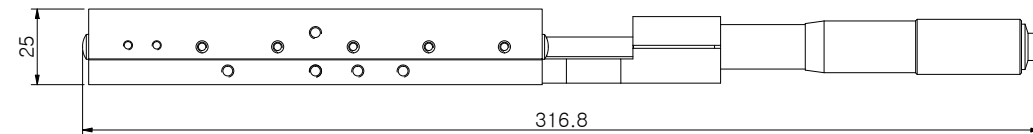
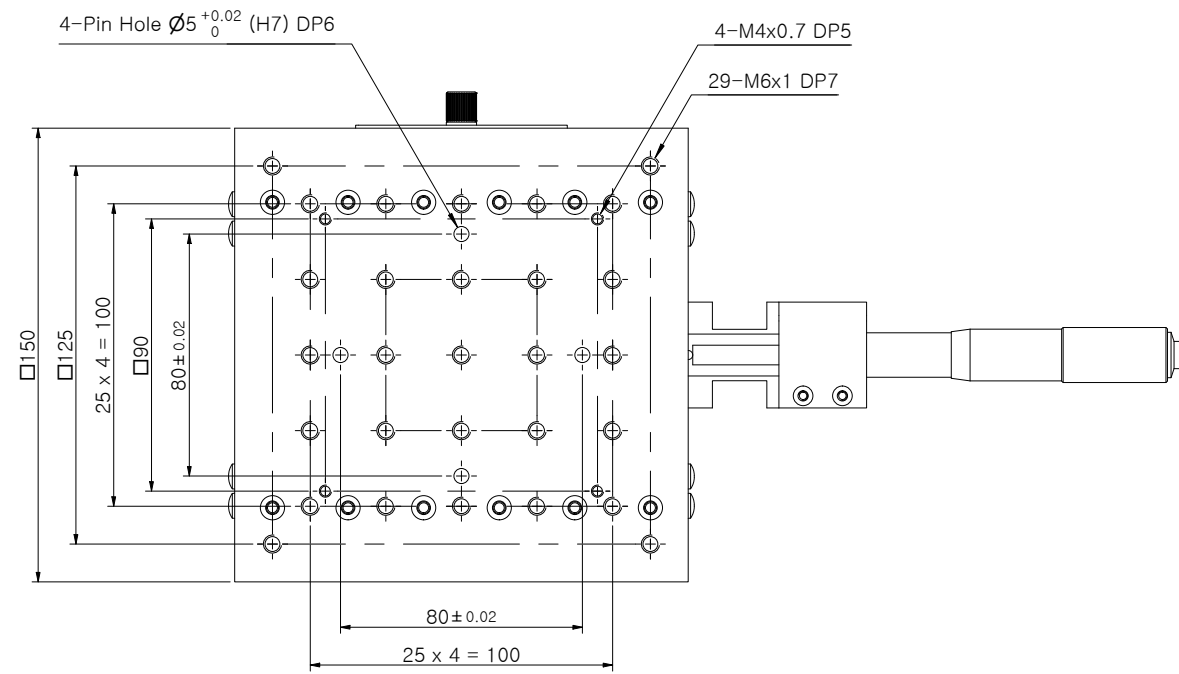
| | | |
|---------------------|-----------------------|---------|
| Axis | X | - |
| Table size | 150*150 | [mm] |
| Travel Range | ± 25 | [mm] |
| Mechanical Type | Micrometer Head | - |
| Resolution | 0.01 | [mm] |
| Guide Mechanism | Cross Roller Guide | - |
| Parallelism | 0.03 | [mm] |
| Running Parallelism | 0.02 | [mm] |
| Straightness | 0.015 | [mm] |
| Materials / Finish | Aluminium / Black Ano | - |
| Load Capacity | 23 | [kgf] |
| Product Weight | 1.8 | [kg] |



| | | | | |
|------|----|----------------------------------|-------|-------------|
| UNIT | MM | JAEWON JAEWON.CO.,LTD. | TITLE | X-150-AMC-R |
| | | | | |

SPECIFICATION

| | | |
|---------------------|-----------------------|---------|
| Axis | X | - |
| Table size | 150*150 | [mm] |
| Travel Range | ± 25 | [mm] |
| Mechanical Type | Micrometer Head | - |
| Resolution | 0.01 | [mm] |
| Guide Mechanism | Cross Roller Guide | - |
| Parallelism | 0.03 | [mm] |
| Running Parallelism | 0.02 | [mm] |
| Straightness | 0.015 | [mm] |
| Materials / Finish | Aluminium / Black Ano | - |
| Load Capacity | 23 | [kgf] |
| Product Weight | 1.8 | [kg] |



| | | | | |
|------|----|----------------------------------|-------|-------------|
| UNIT | MM | JAEWON JAEWON.CO.,LTD. | TITLE | X-150-AMC-C |
| | | | | |