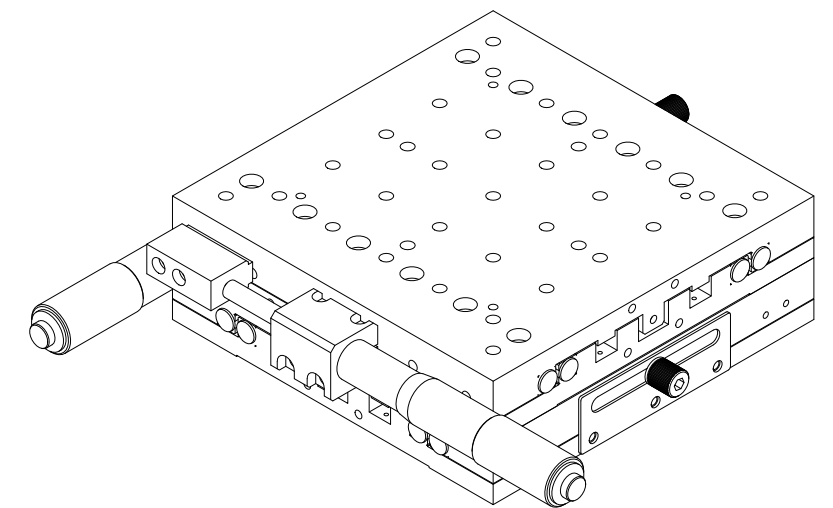


SPECIFICATION

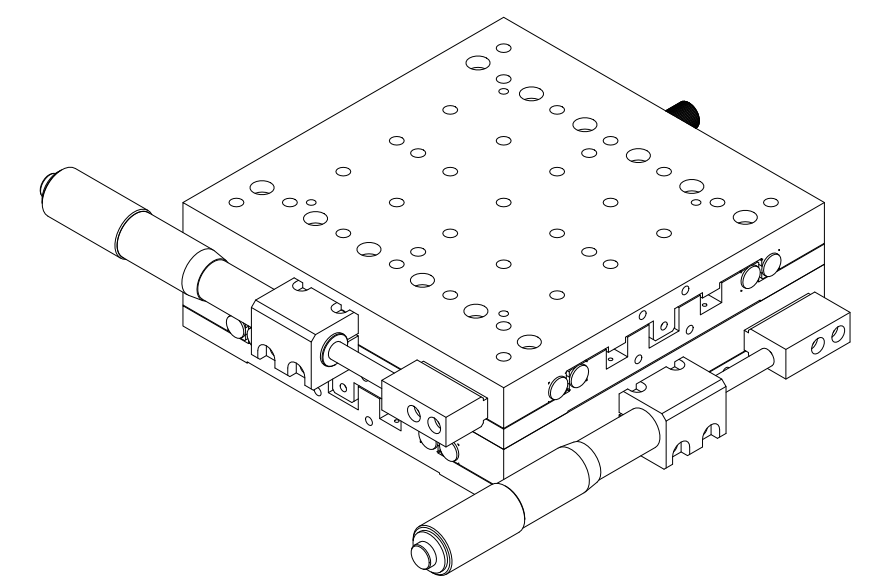
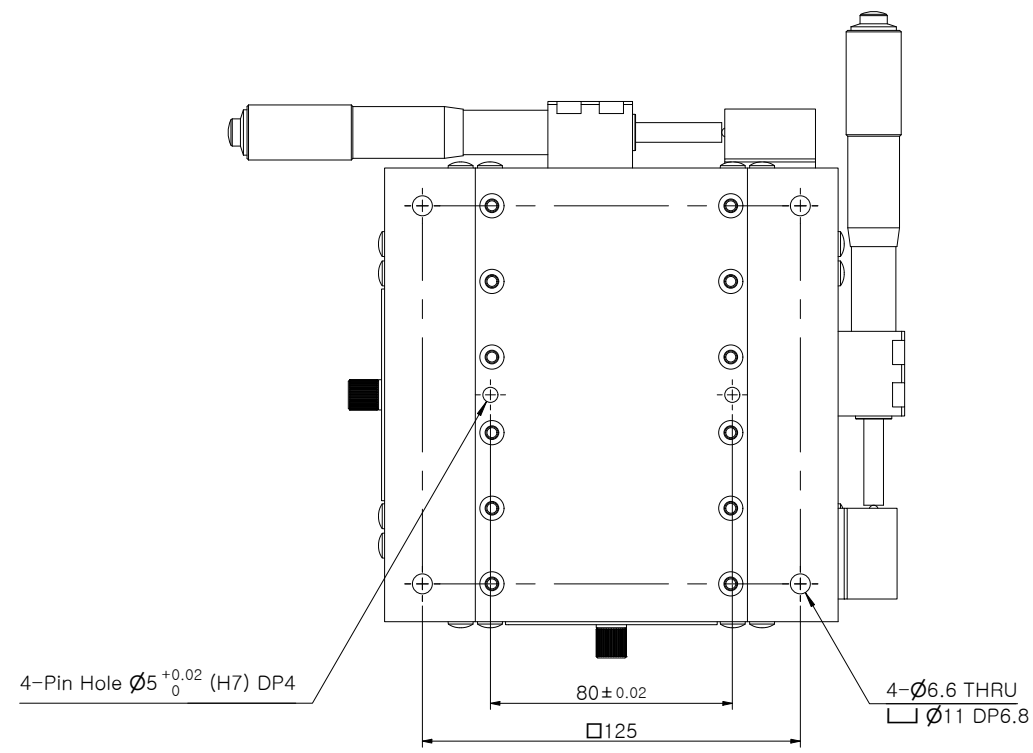
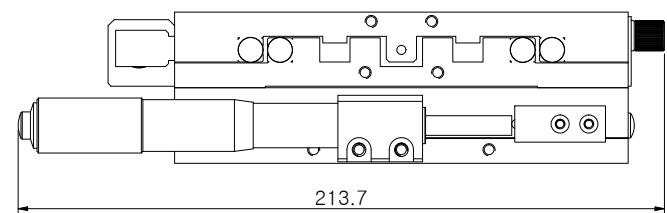
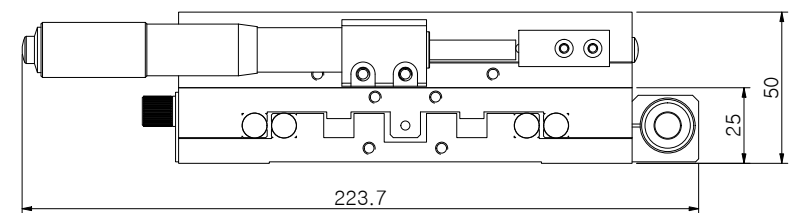
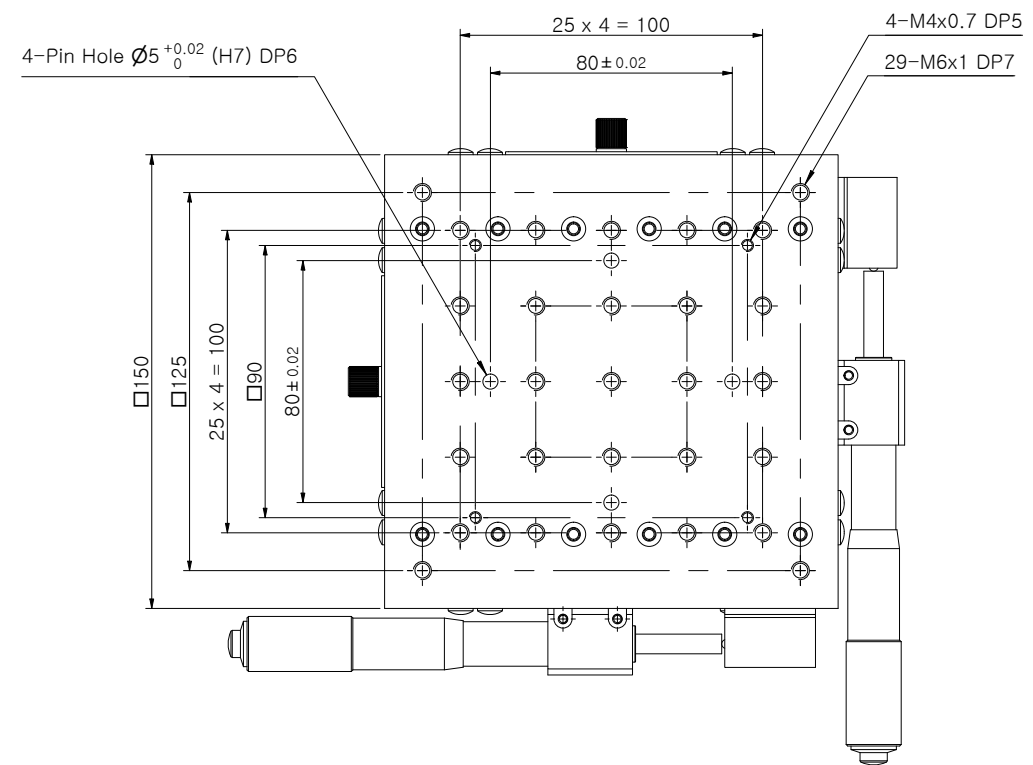
Axis	XY	-
Table size	150*150	[mm]
Travel Range	± 25	[mm]
Mechanical Type	Micrometer Head	-
Resolution	0.01	[mm]
Guide Mechanism	Cross Roller Guide	-
Parallelism	0.03	[mm]
Running Parallelism	0.02	[mm]
Straightness	0.015	[mm]
Materials / Finish	Aluminium / Black Ano	-
Load Capacity	23	[kgf]
Product Weight	3.6	[kg]

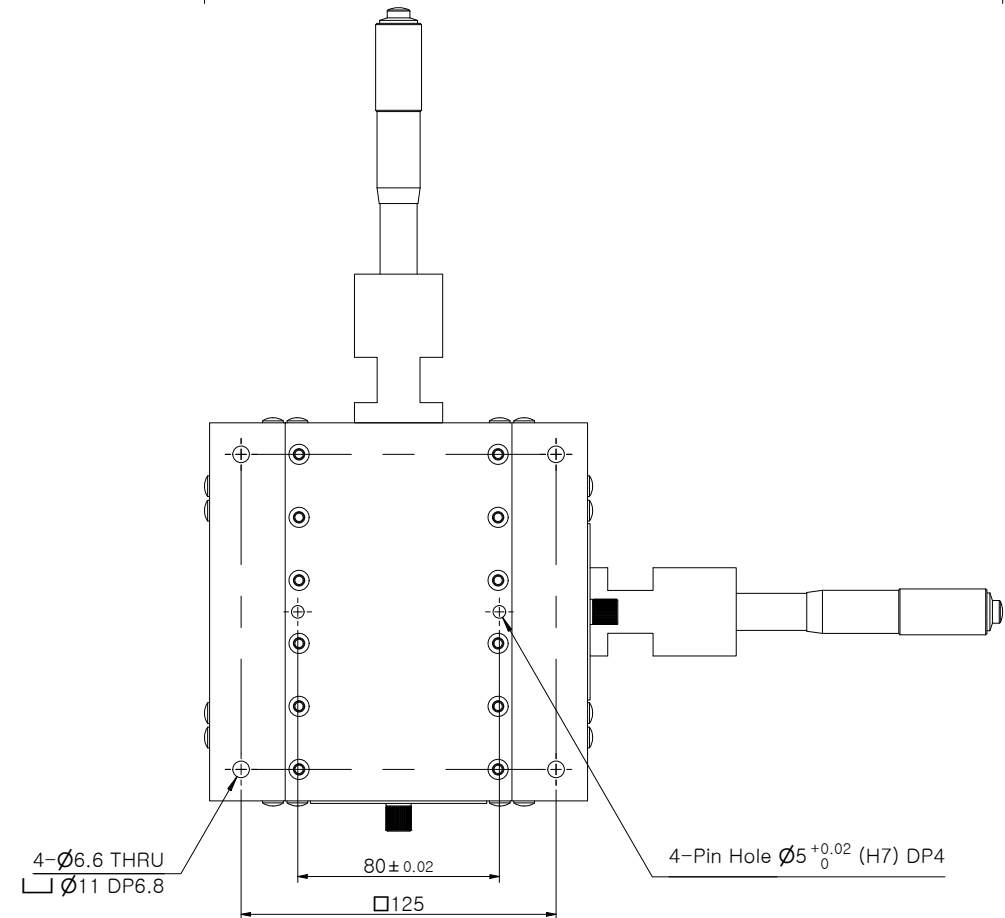
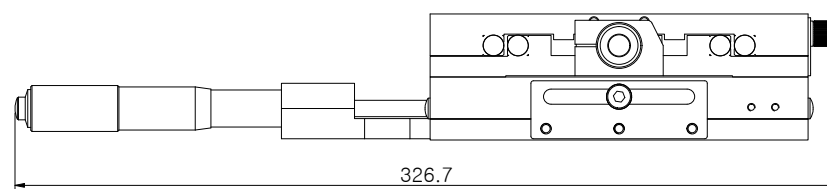
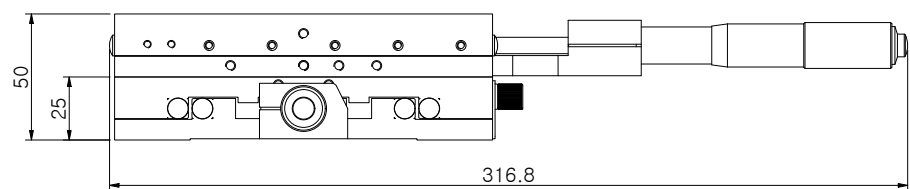
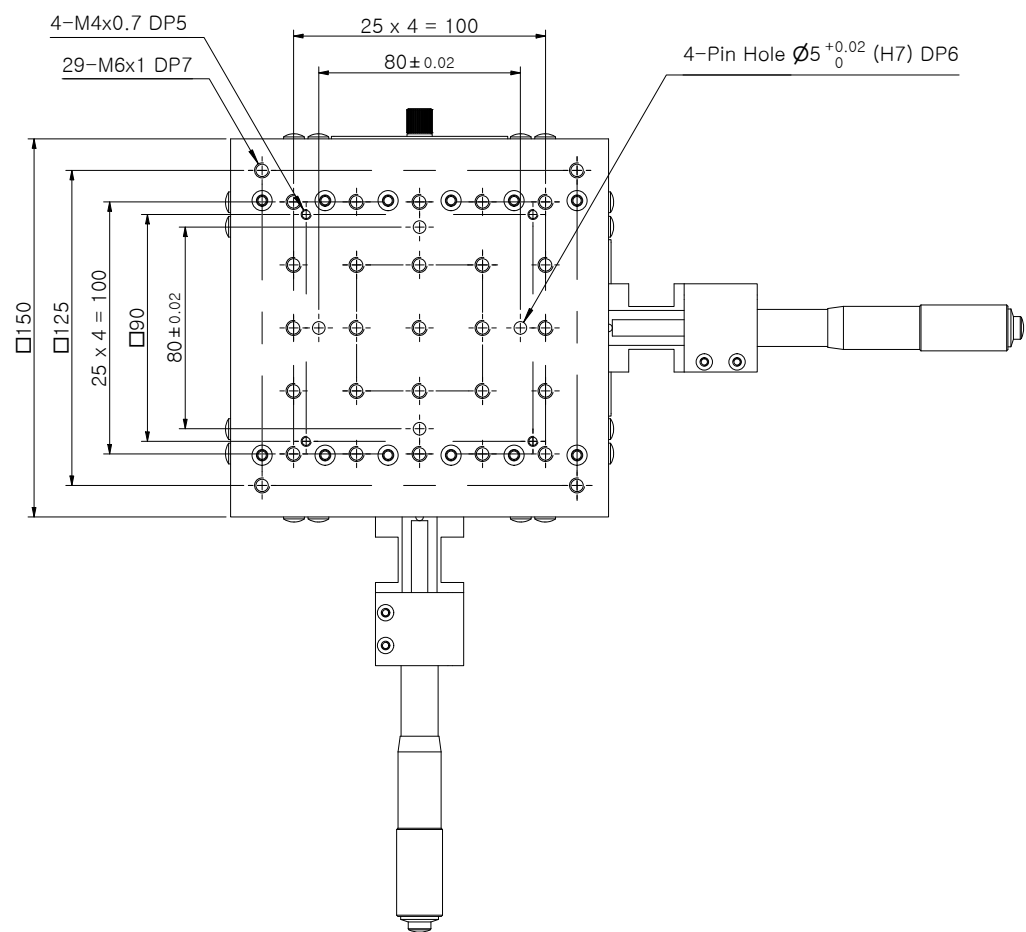


UNIT	MM		TITLE	XY-150-AMC-LL

SPECIFICATION

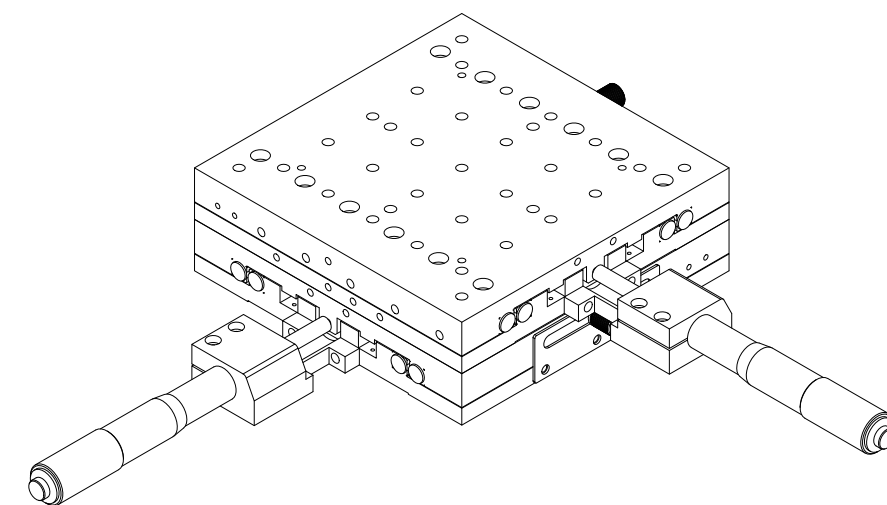
Axis	XY	-
Table size	150*150	[mm]
Travel Range	± 25	[mm]
Mechanical Type	Micrometer Head	-
Resolution	0.01	[mm]
Guide Mechanism	Cross Roller Guide	-
Parallelism	0.03	[mm]
Running Parallelism	0.02	[mm]
Straightness	0.015	[mm]
Materials / Finish	Aluminium / Black Ano	-
Load Capacity	23	[kgf]
Product Weight	3.6	[kg]





SPECIFICATION

Axis	XY	-
Table size	150*150	[mm]
Travel Range	± 25	[mm]
Mechanical Type	Micrometer Head	-
Resolution	0.01	[mm]
Guide Mechanism	Cross Roller Guide	-
Parallelism	0.03	[mm]
Running Parallelism	0.02	[mm]
Straightness	0.015	[mm]
Materials / Finish	Aluminium / Black Ano	-
Load Capacity	23	[kgf]
Product Weight	3.6	[kg]



UNIT	MM	 JAEWON JAEWON.CO.,LTD.	TITLE	XY-150-AMC-CC
				