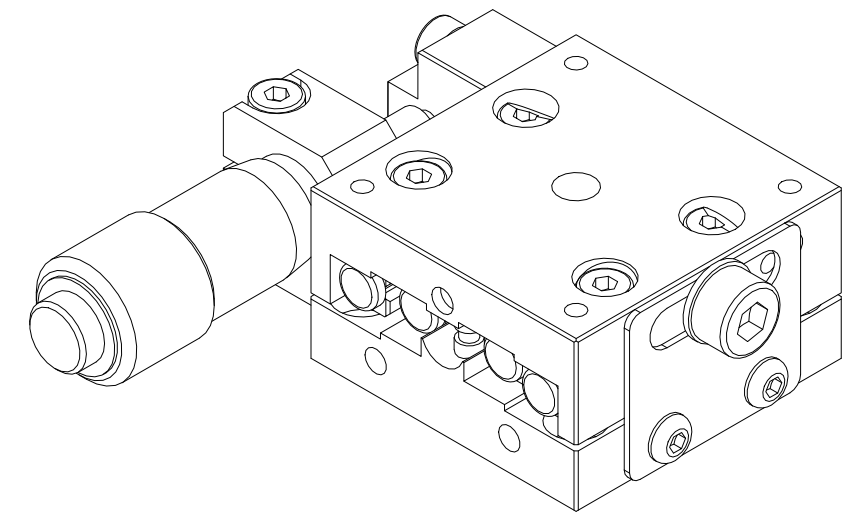
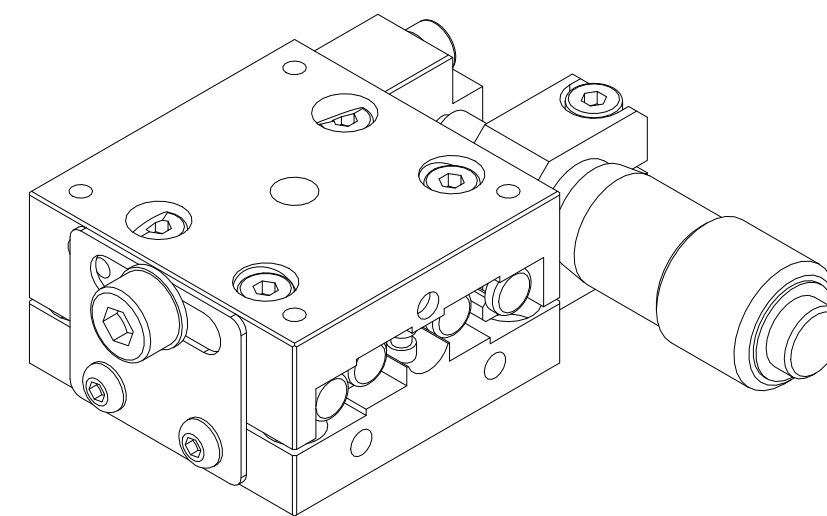
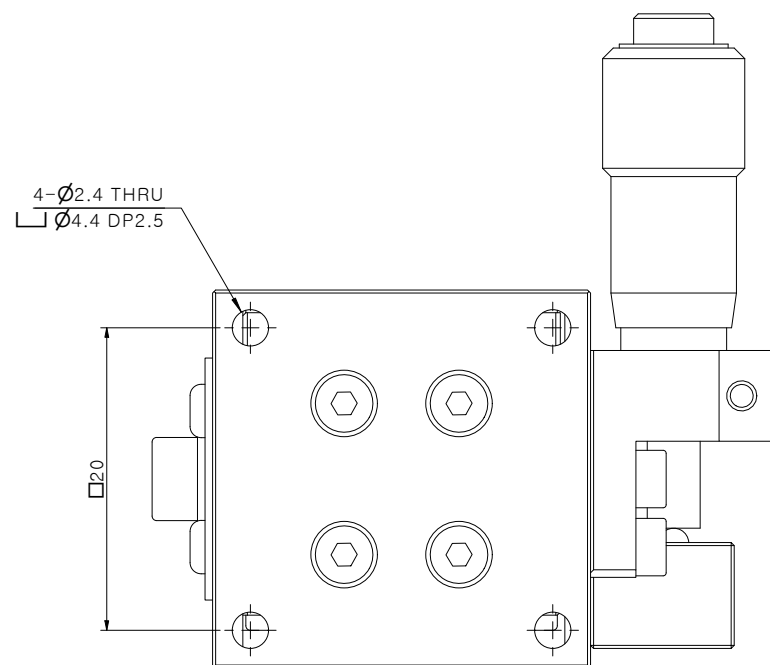
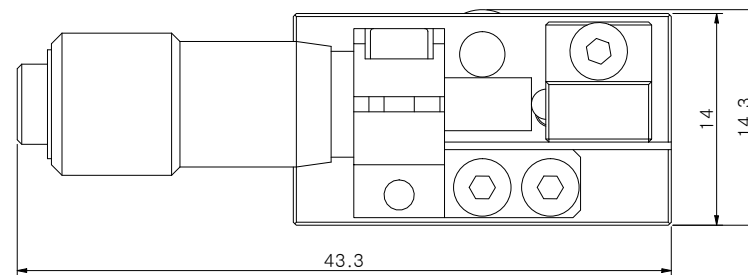
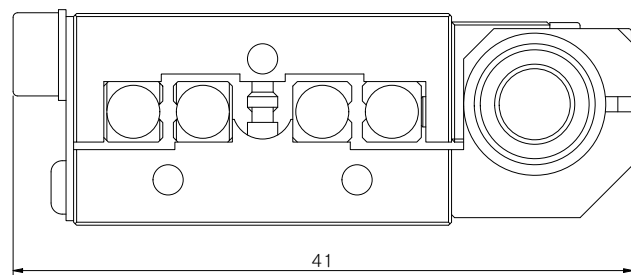
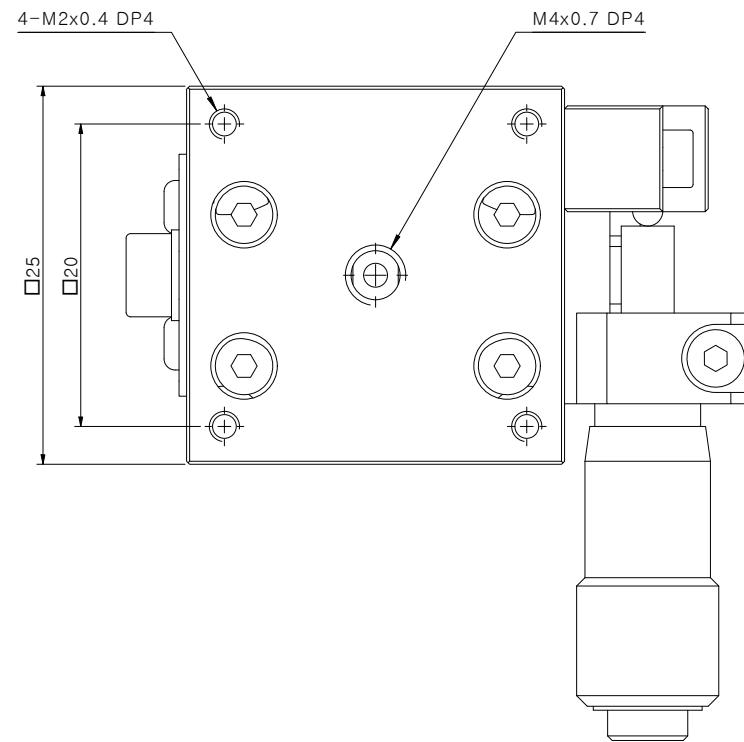


SPECIFICATION

Axis	X	-
Table size	25*25	[mm]
Travel Range	± 3	[mm]
Mechanical Type	Micrometer Head	-
Resolution	0.01	[mm]
Guide Mechanism	Cross Roller Guide	-
Parallelism	0.02	[mm]
Running Parallelism	0.01	[mm]
Straightness	0.003	[mm]
Materials / Finish	Aluminium / Black Ano	-
Load Capacity	1	[kgf]
Product Weight	0.1	[kg]



UNIT	MM		JAEWON JAEWON.CO.,LTD.	TITLE	X-25-AMC-L



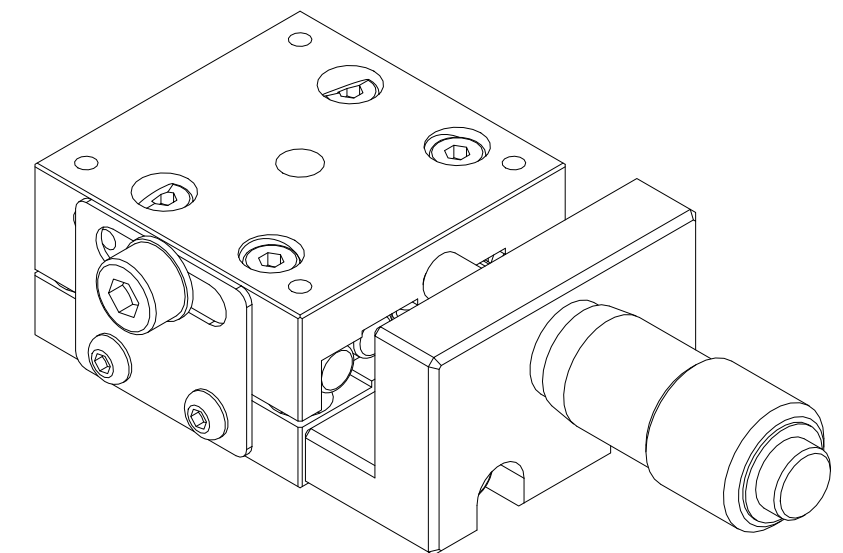
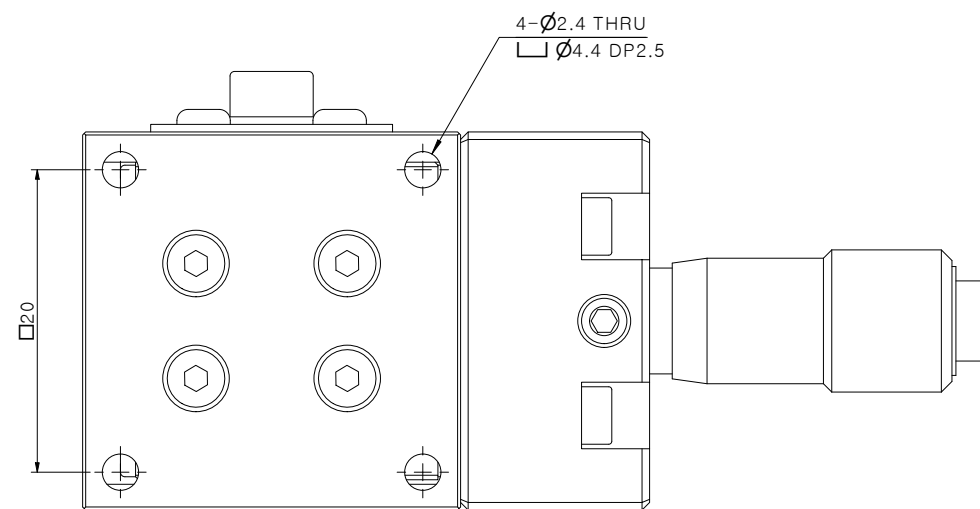
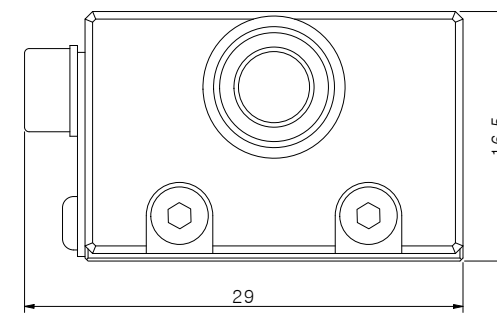
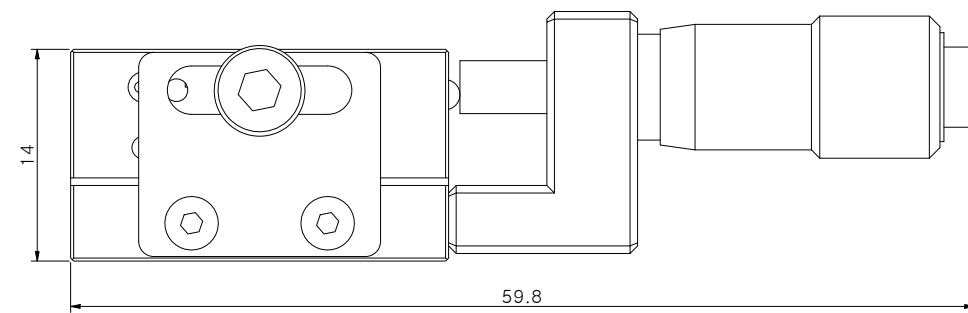
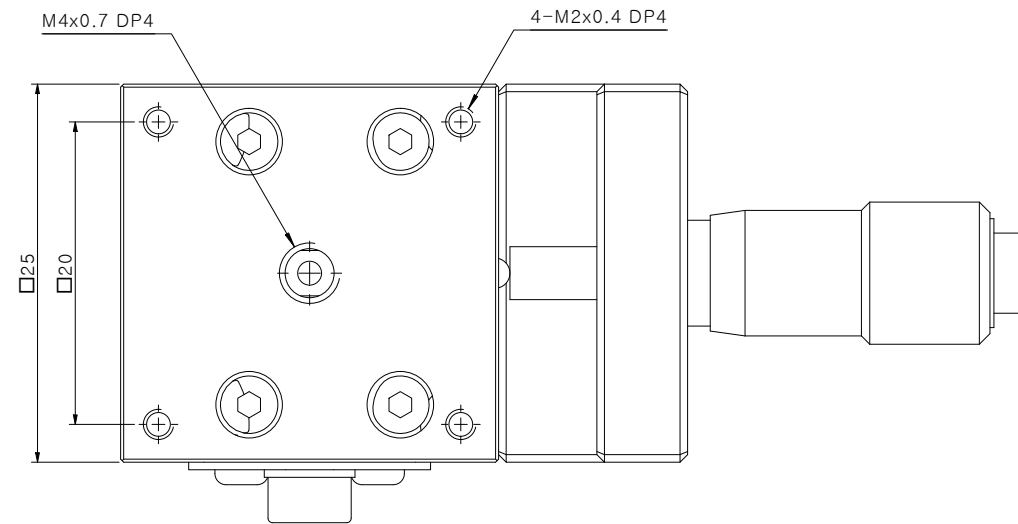
SPECIFICATION

Axis	X	-
Table size	25*25	[mm]
Travel Range	± 3	[mm]
Mechanical Type	Micrometer Head	-
Resolution	0.01	[mm]
Guide Mechanism	Cross Roller Guide	-
Parallelism	0.02	[mm]
Running Parallelism	0.01	[mm]
Straightness	0.003	[mm]
Materials / Finish	Aluminium / Black Ano	-
Load Capacity	1	[kgf]
Product Weight	0.1	[kg]

UNIT	MM		JAEWON JAEWON.CO.,LTD.	TITLE	X-25-AMC-R

SPECIFICATION

Axis	X	-
Table size	25*25	[mm]
Travel Range	± 3	[mm]
Mechanical Type	Micrometer Head	-
Resolution	0.01	[mm]
Guide Mechanism	Cross Roller Guide	-
Parallelism	0.02	[mm]
Running Parallelism	0.01	[mm]
Straightness	0.003	[mm]
Materials / Finish	Aluminium / Black Ano	-
Load Capacity	1	[kgf]
Product Weight	0.1	[kg]



UNIT	MM	 JAEWON JAEWON.CO.,LTD.	TITLE	X-25-AMC-C
				