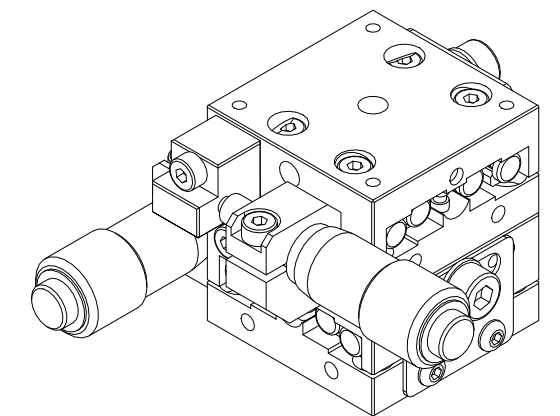


### SPECIFICATION

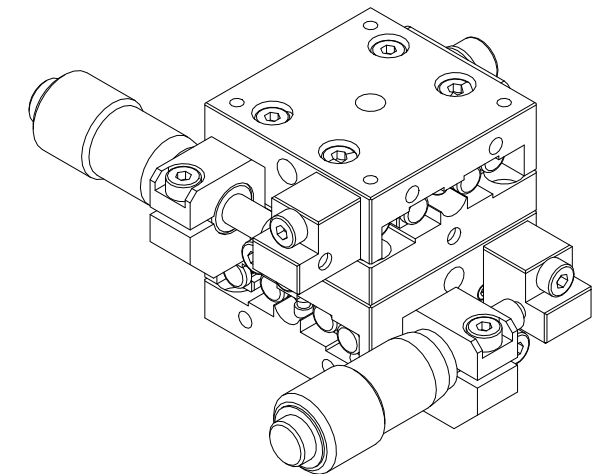
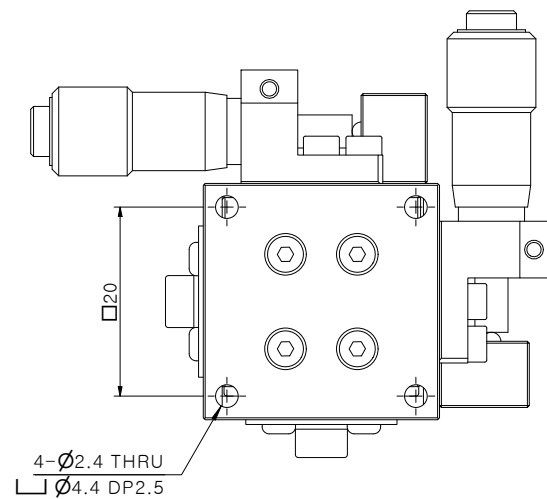
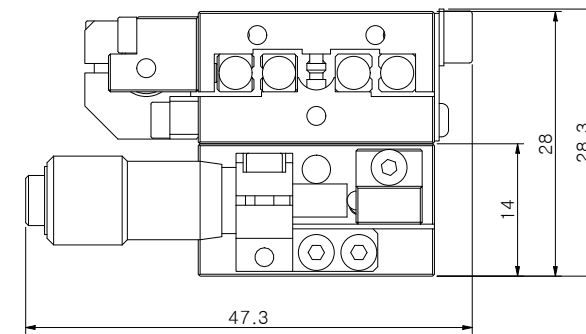
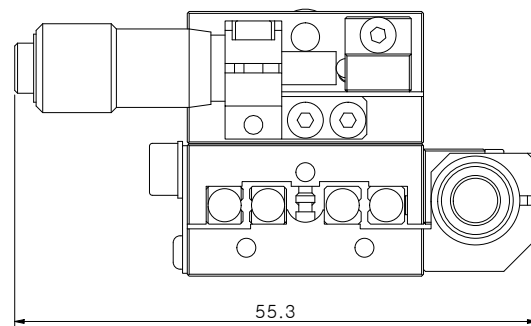
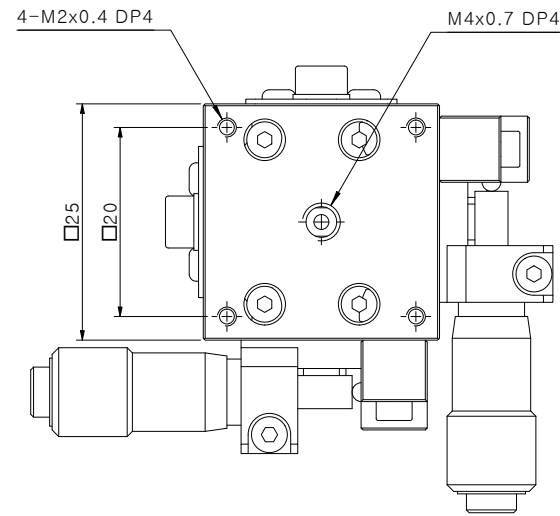
Axis	XY	-
Table size	25*25	[ mm ]
Travel Range	± 3	[ mm ]
Mechanical Type	Micrometer Head	-
Resolution	0.01	[ mm ]
Guide Mechanism	Cross Roller Guide	-
Parallelism	0.02	[ mm ]
Running Parallelism	0.01	[ mm ]
Straightness	0.003	[ mm ]
Materials / Finish	Aluminium / Black Ano	-
Load Capacity	1	[ kgf ]
Product Weight	0.2	[ kg ]



UNIT	MM		<b>JAEWON</b> JAEWON.CO.,LTD.	TITLE	XY-25-AMC-LL

## SPECIFICATION

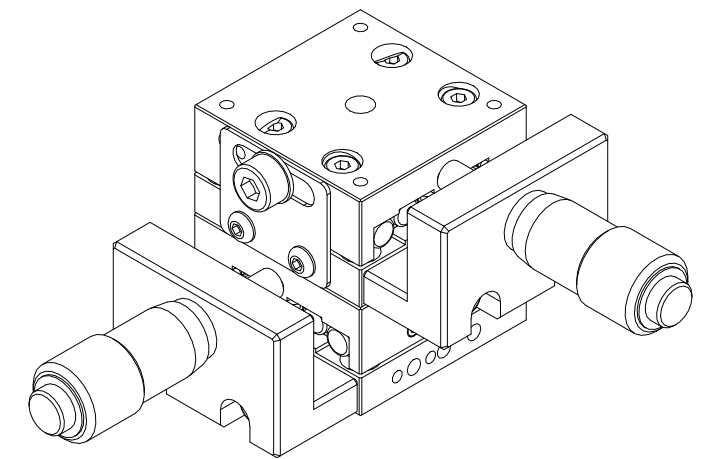
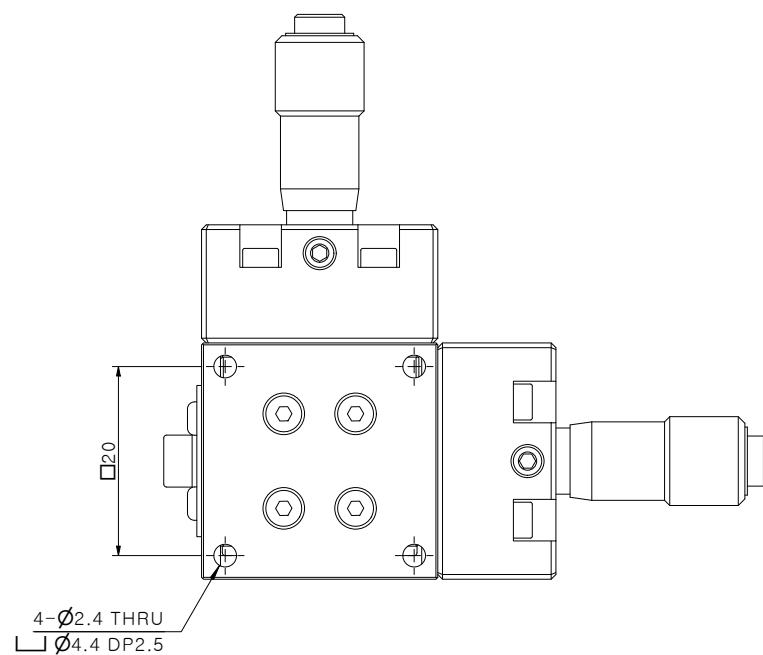
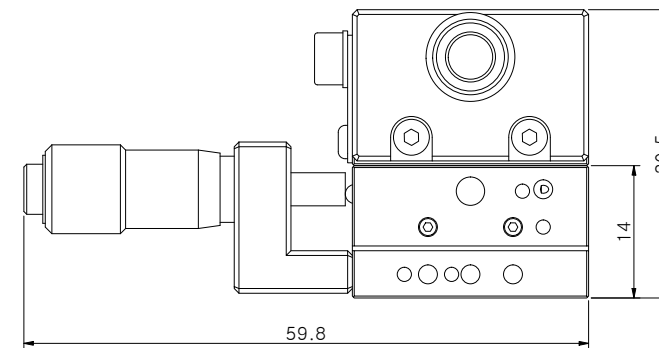
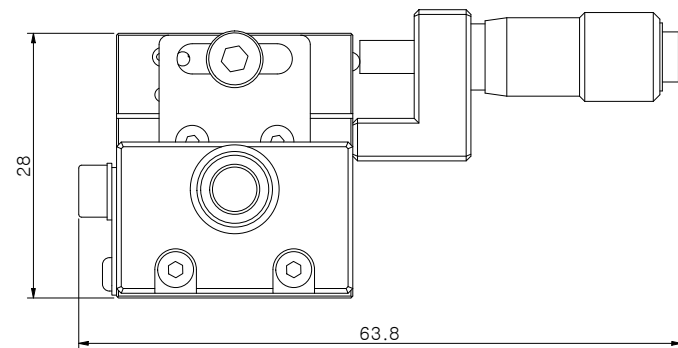
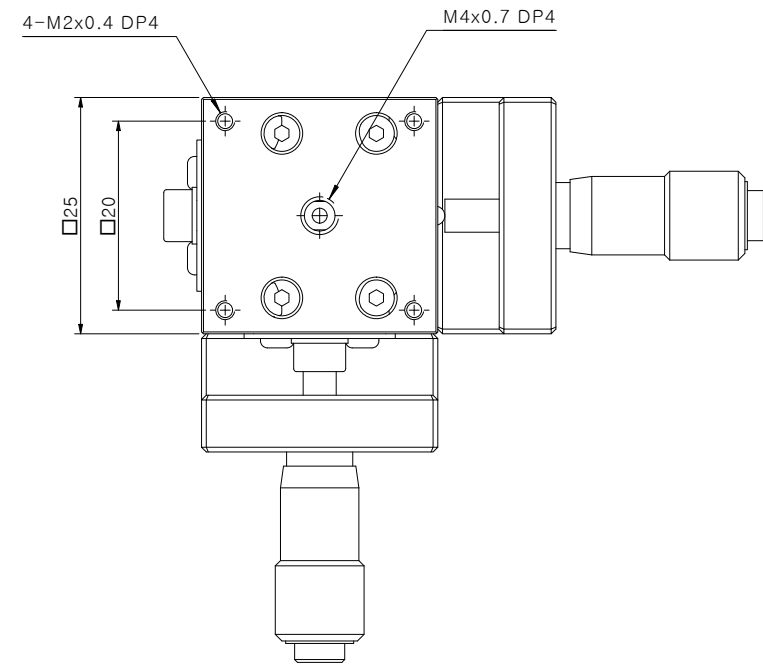
Axis	XY	-
Table size	25*25	[ mm ]
Travel Range	± 3	[ mm ]
Mechanical Type	Micrometer Head	-
Resolution	0.01	[ mm ]
Guide Mechanism	Cross Roller Guide	-
Parallelism	0.02	[ mm ]
Running Parallelism	0.01	[ mm ]
Straightness	0.003	[ mm ]
Materials / Finish	Aluminium / Black Ano	-
Load Capacity	1	[ kgf ]
Product Weight	0.2	[ kg ]



UNIT	MM	<b>JAEWON</b> JAEWON.CO.,LTD.	TITLE	XY-25-AMC-RR

### SPECIFICATION

Axis	XY	-
Table size	25*25	[ mm ]
Travel Range	± 3	[ mm ]
Mechanical Type	Micrometer Head	-
Resolution	0.01	[ mm ]
Guide Mechanism	Cross Roller Guide	-
Parallelism	0.02	[ mm ]
Running Parallelism	0.01	[ mm ]
Straightness	0.003	[ mm ]
Materials / Finish	Aluminium / Black Ano	-
Load Capacity	1	[ kgf ]
Product Weight	0.2	[ kg ]



UNIT	MM	 <b>JAEWON</b> JAEWON.CO.,LTD.	TITLE	XY-25-AMC-CC
				