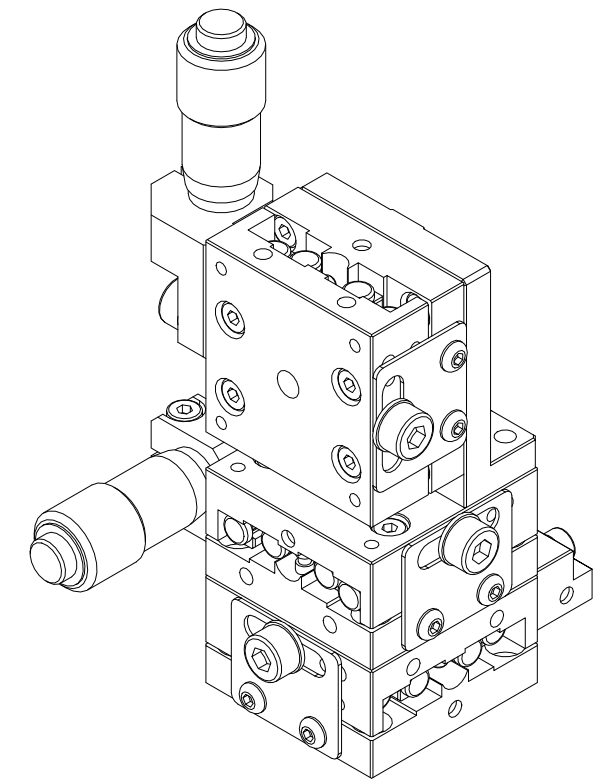
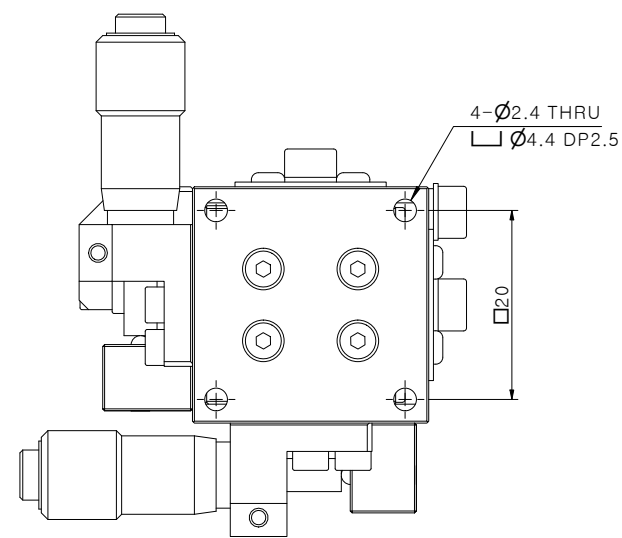
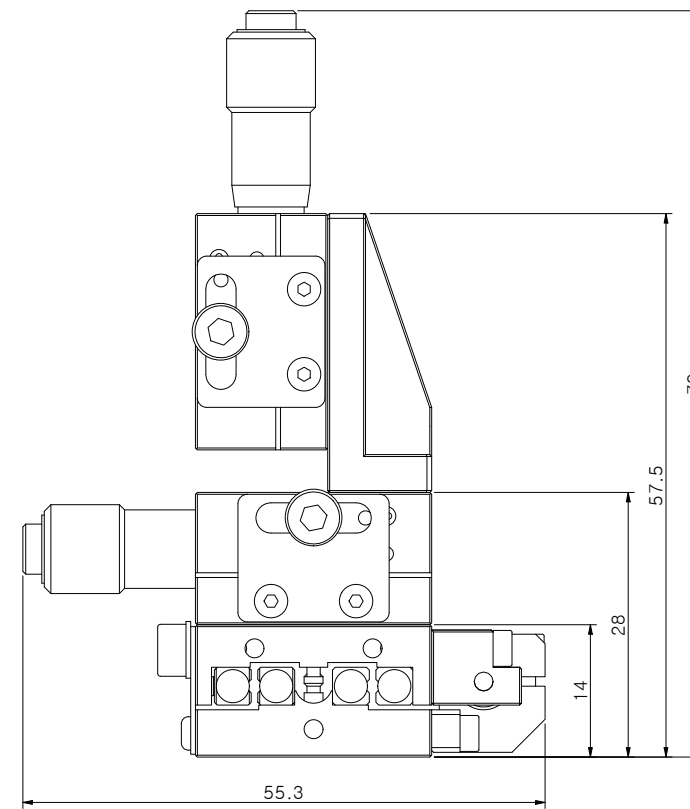
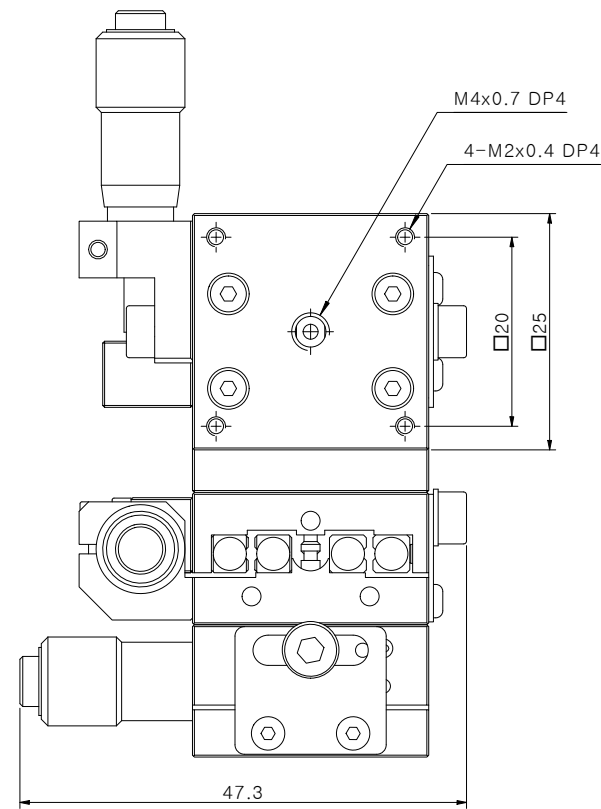


SPECIFICATION

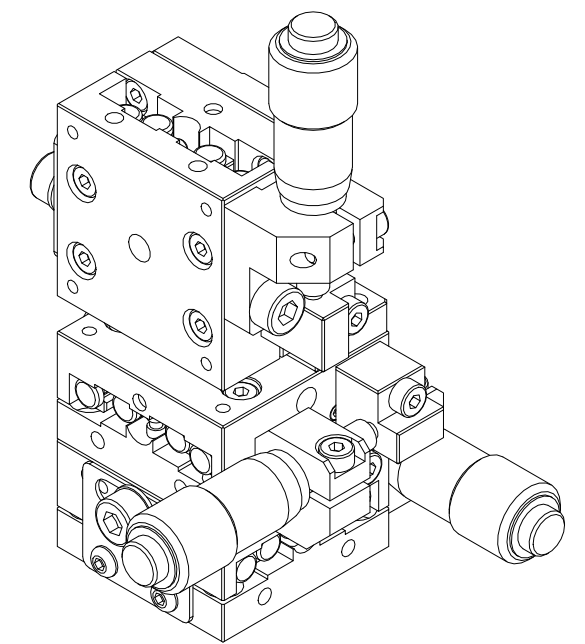
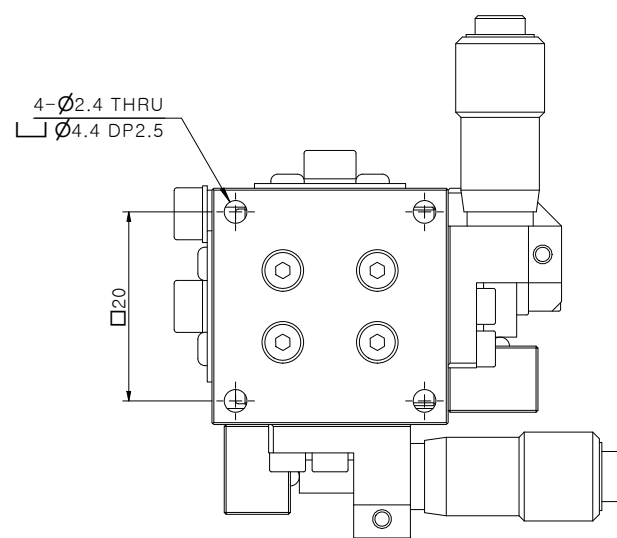
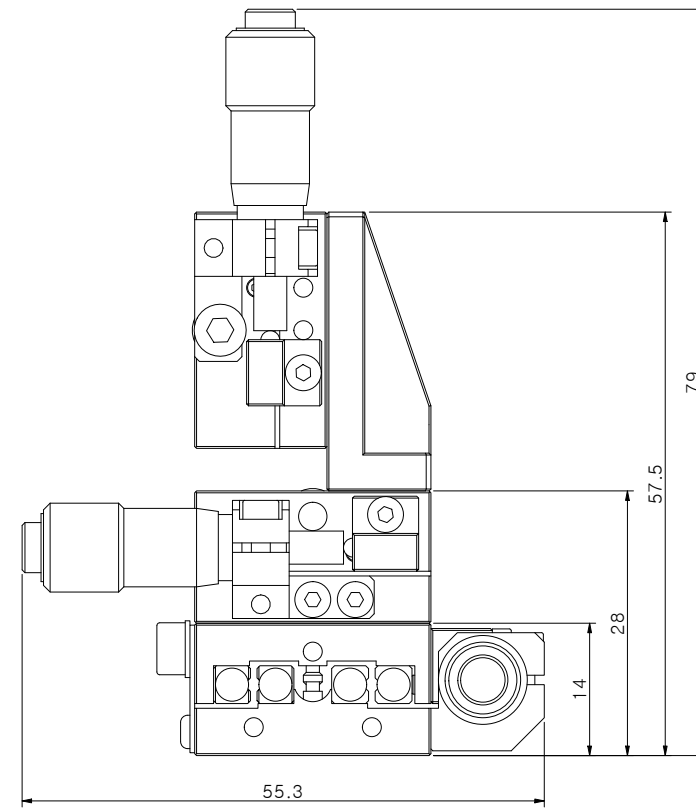
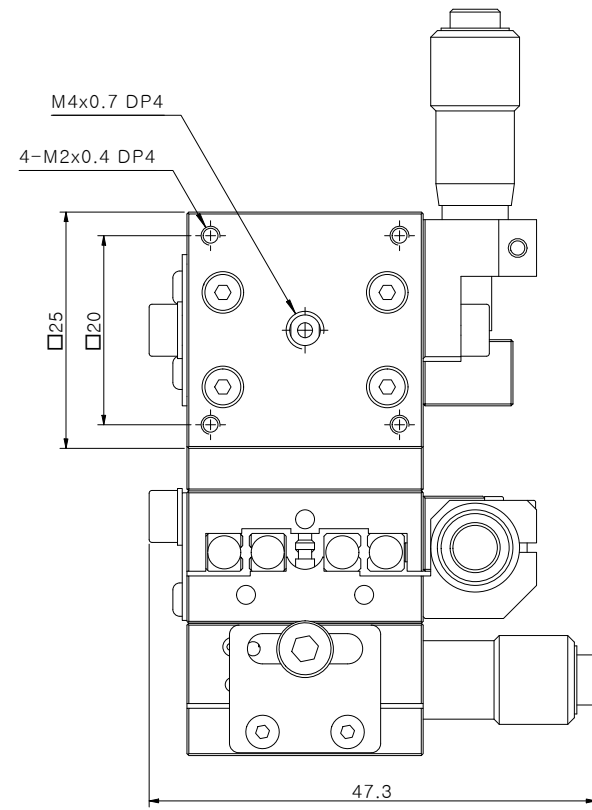
Axis	XYZ-Vertical	-
Table size	25*25	[mm]
Travel Range	± 3	[mm]
Mechanical Type	Micrometer Head	-
Resolution	0.01	[mm]
Guide Mechanism	Cross Roller Guide	-
Parallelism	0.02	[mm]
Running Parallelism	0.01	[mm]
Straightness	0.003	[mm]
Materials / Finish	Aluminium / Black Ano	-
Load Capacity	0.5	[kgf]
Product Weight	0.3	[kg]



UNIT	MM	JAEWON JAEWON.CO.,LTD.	TITLE	XYZ-25-AMC-LLL

SPECIFICATION

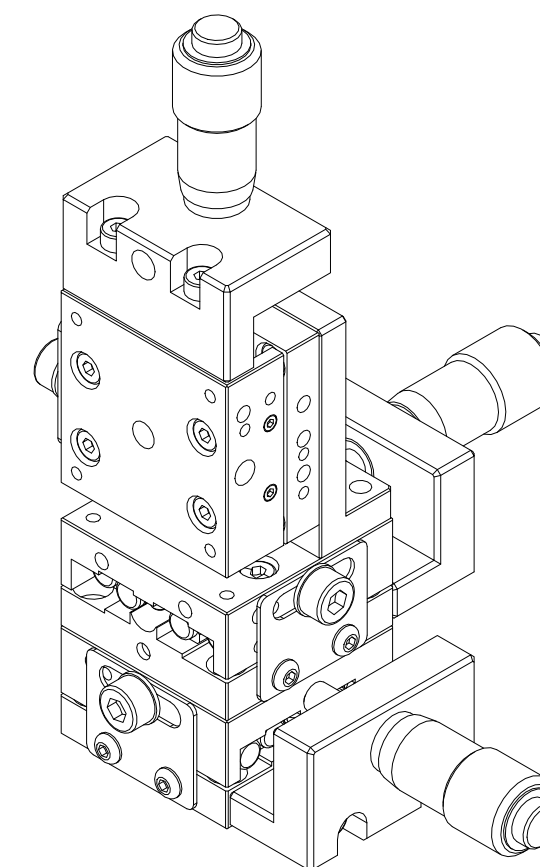
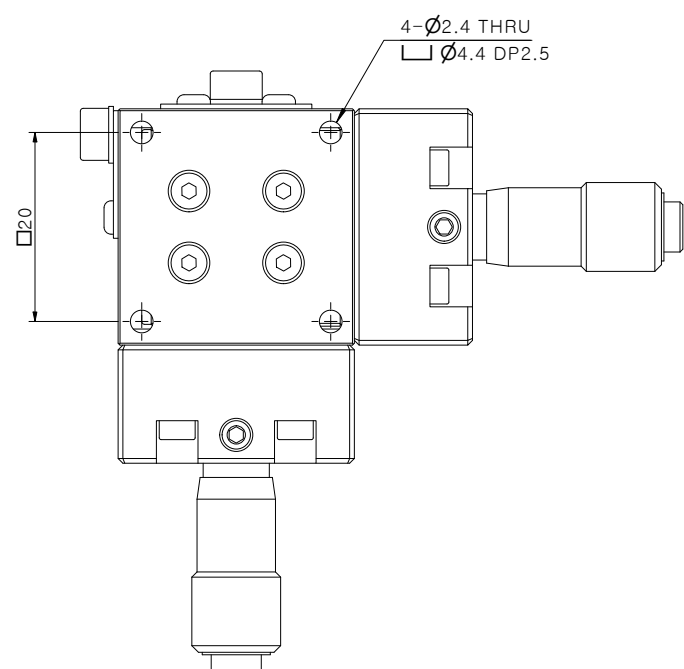
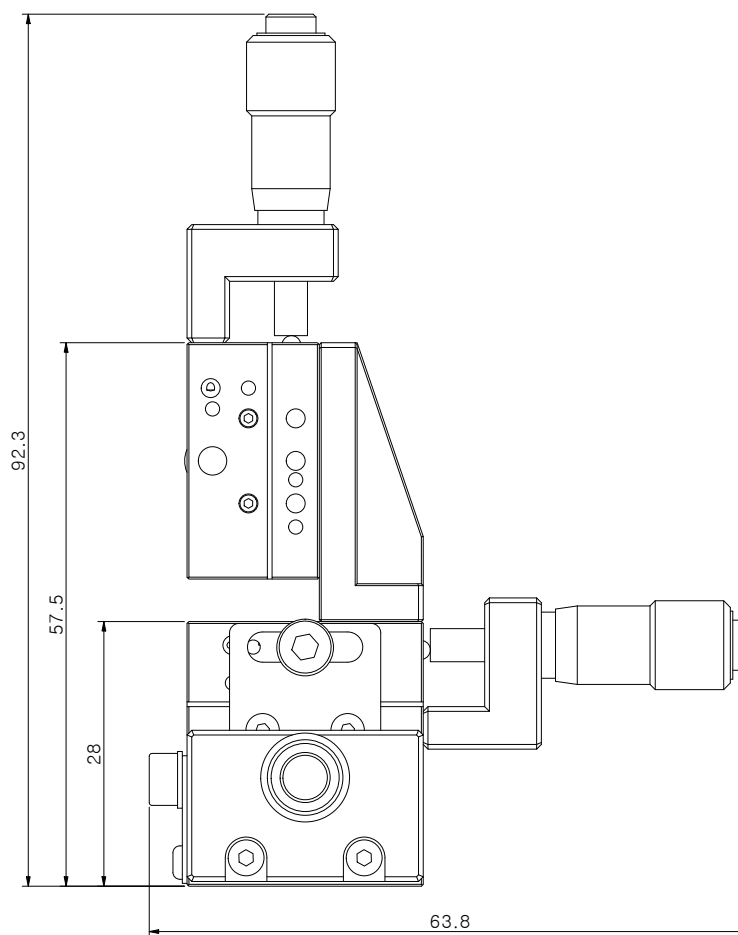
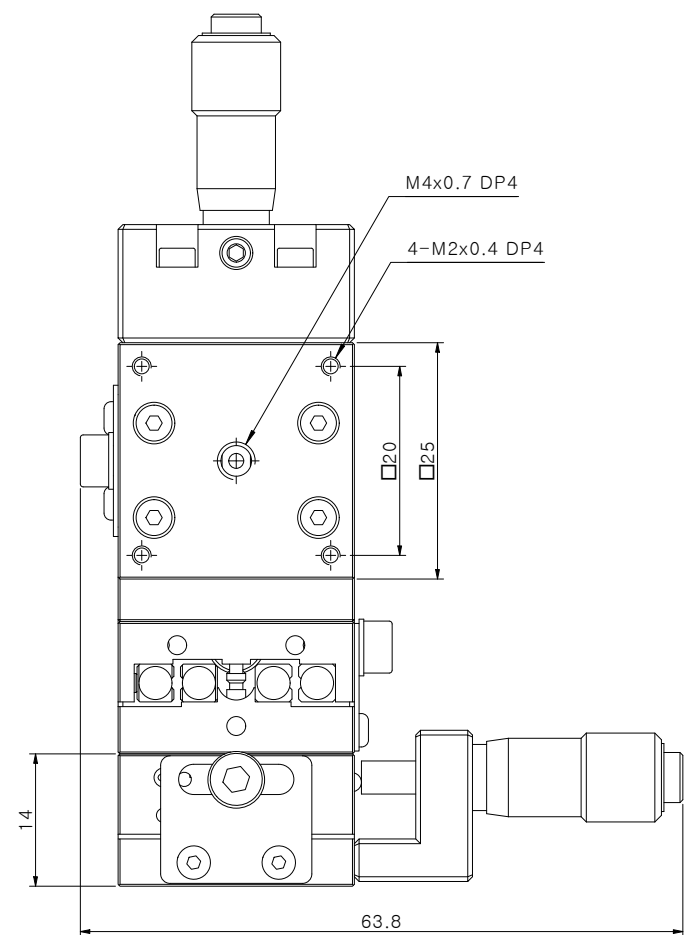
Axis	XYZ-Vertical	-
Table size	25*25	[mm]
Travel Range	± 3	[mm]
Mechanical Type	Micrometer Head	-
Resolution	0.01	[mm]
Guide Mechanism	Cross Roller Guide	-
Parallelism	0.02	[mm]
Running Parallelism	0.01	[mm]
Straightness	0.003	[mm]
Materials / Finish	Aluminium / Black Ano	-
Load Capacity	0.5	[kgf]
Product Weight	0.3	[kg]



UNIT	MM	 JAEWON JAEWON.CO.,LTD.	TITLE	XYZ-25-AMC-RRR
				

SPECIFICATION

Axis	XYZ-Vertical	-
Table size	25*25	[mm]
Travel Range	± 3	[mm]
Mechanical Type	Micrometer Head	-
Resolution	0.01	[mm]
Guide Mechanism	Cross Roller Guide	-
Parallelism	0.02	[mm]
Running Parallelism	0.01	[mm]
Straightness	0.003	[mm]
Materials / Finish	Aluminium / Black Ano	-
Load Capacity	0.5	[kgf]
Product Weight	0.3	[kg]



UNIT	MM	 JAEWON JAEWON.CO.,LTD.	TITLE	XYZ-25-AMC-CCC
				