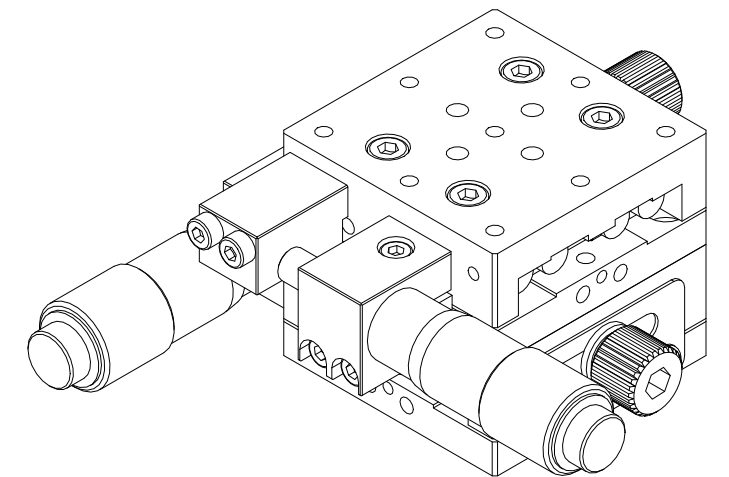
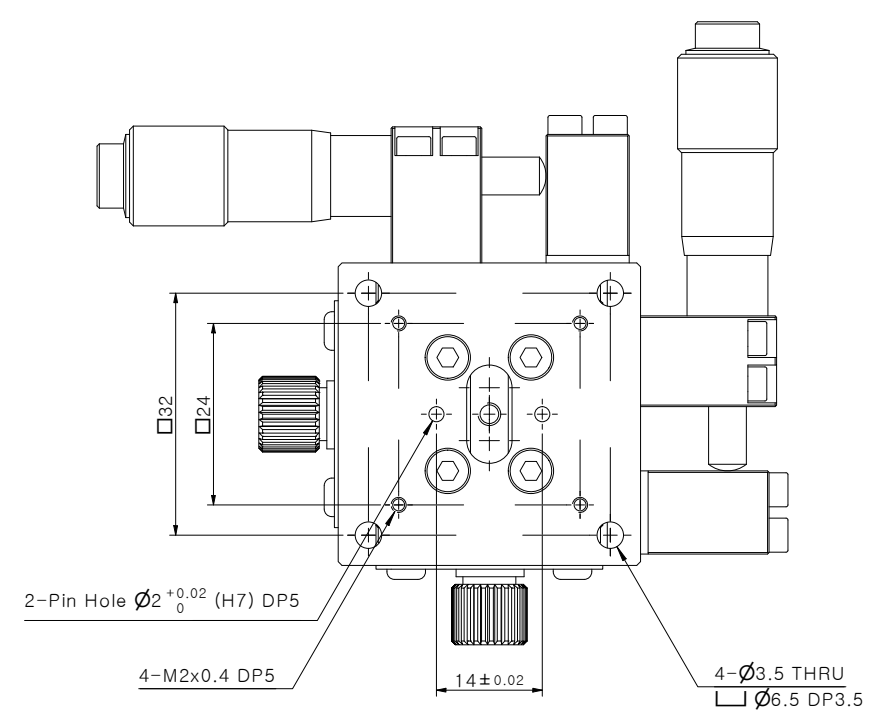
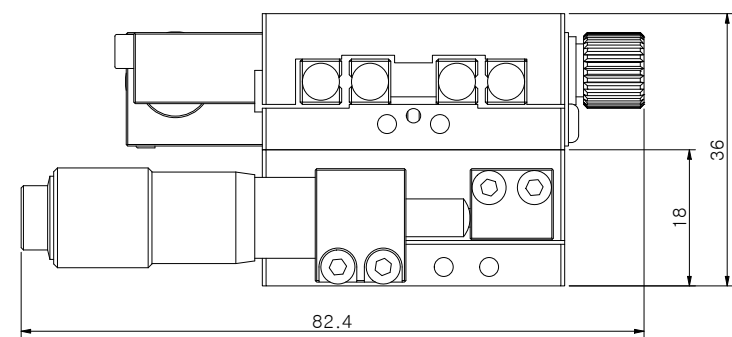
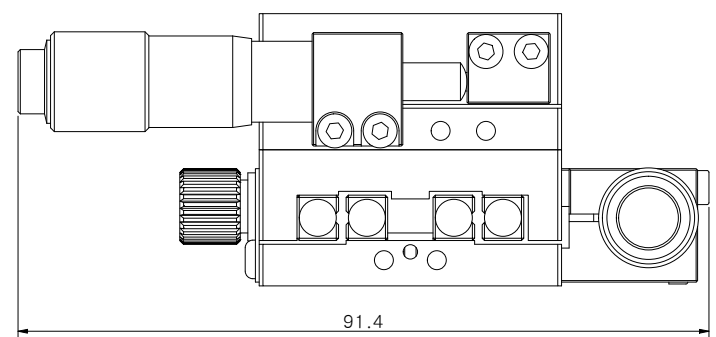
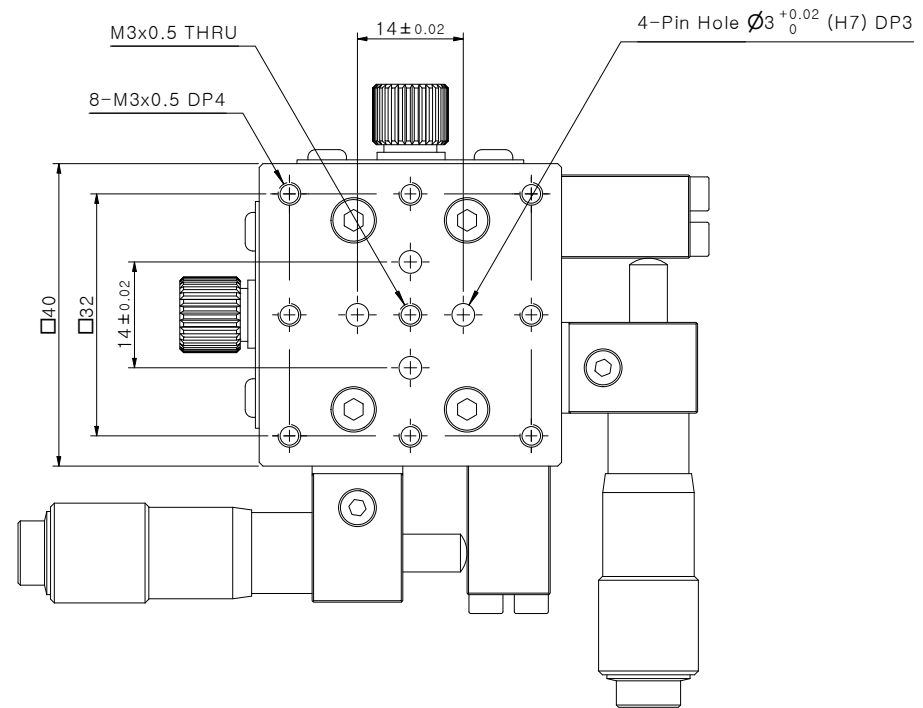


## SPECIFICATION

Axis	XY	-
Table size	40*40	[ mm ]
Travel Range	$\pm 6.5$	[ mm ]
Mechanical Type	Micrometer Head	-
Resolution	0.01	[ mm ]
Guide Mechanism	Cross Roller Guide	-
Parallelism	0.03	[ mm ]
Running Parallelism	0.02	[ mm ]
Straightness	0.005	[ mm ]
Materials / Finish	Aluminium / Black Ano	-
Load Capacity	2	[ kgf ]
Product Weight	0.3	[ kg ]

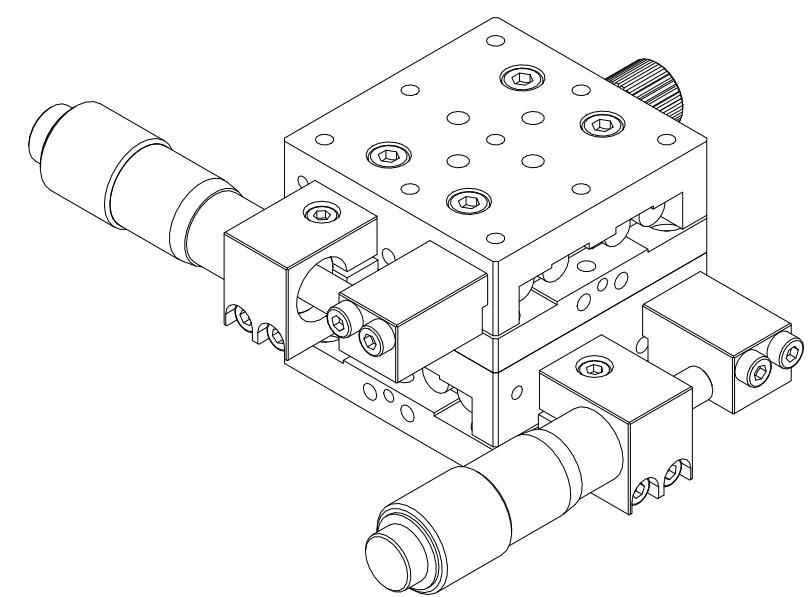


UNIT	MM	 <b>JAEWON</b> JAEWON.CO.,LTD.	TITLE	XY-40-AMC-LL
 				

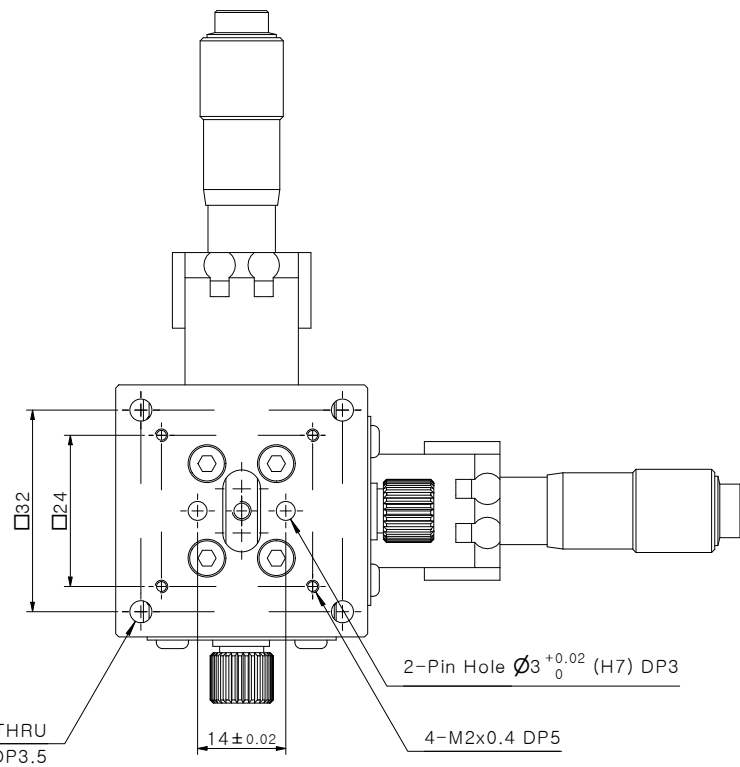
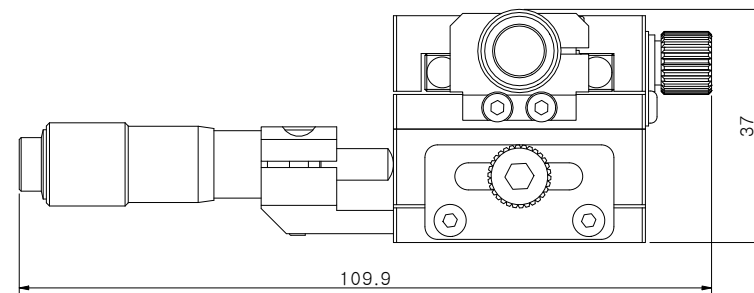
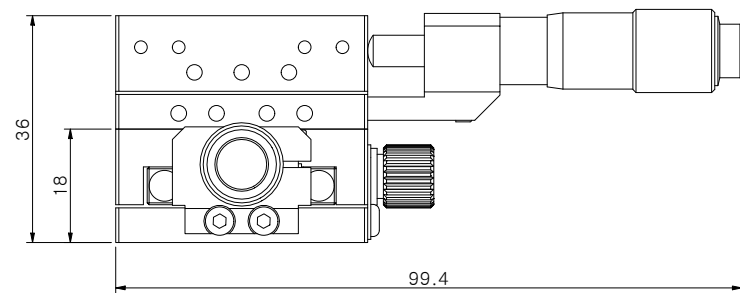
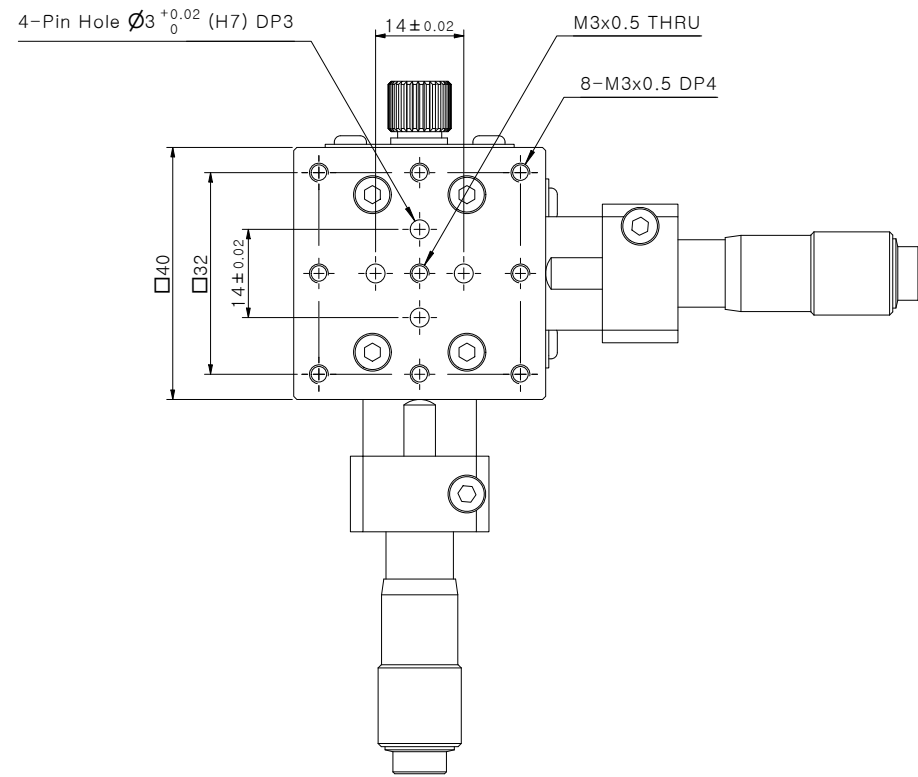


### SPECIFICATION

Axis	XY	-
Table size	40*40	[ mm ]
Travel Range	± 6.5	[ mm ]
Mechanical Type	Micrometer Head	-
Resolution	0.01	[ mm ]
Guide Mechanism	Cross Roller Guide	-
Parallelism	0.03	[ mm ]
Running Parallelism	0.02	[ mm ]
Straightness	0.005	[ mm ]
Materials / Finish	Aluminium / Black Ano	-
Load Capacity	2	[ kgf ]
Product Weight	0.3	[ kg ]

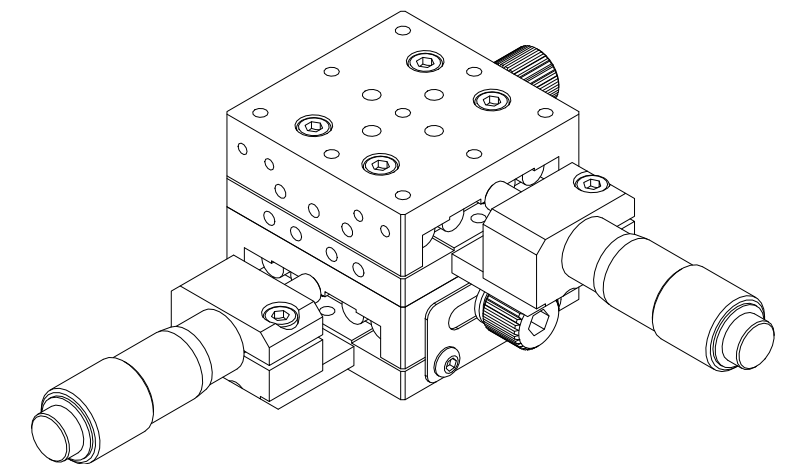


UNIT	MM		<b>JAEWON</b> JAEWON.CO.,LTD.	TITLE	XY-40-AMC-RR



### SPECIFICATION

Axis	XY	-
Table size	40*40	[ mm ]
Travel Range	± 6.5	[ mm ]
Mechanical Type	Micrometer Head	-
Resolution	0.01	[ mm ]
Guide Mechanism	Cross Roller Guide	-
Parallelism	0.03	[ mm ]
Running Parallelism	0.02	[ mm ]
Straightness	0.005	[ mm ]
Materials / Finish	Aluminium / Black Ano	-
Load Capacity	2	[ kgf ]
Product Weight	0.3	[ kg ]



UNIT	MM	 <b>JAEWON</b> JAEWON.CO.,LTD.	TITLE	XY-40-AMC-CC
				