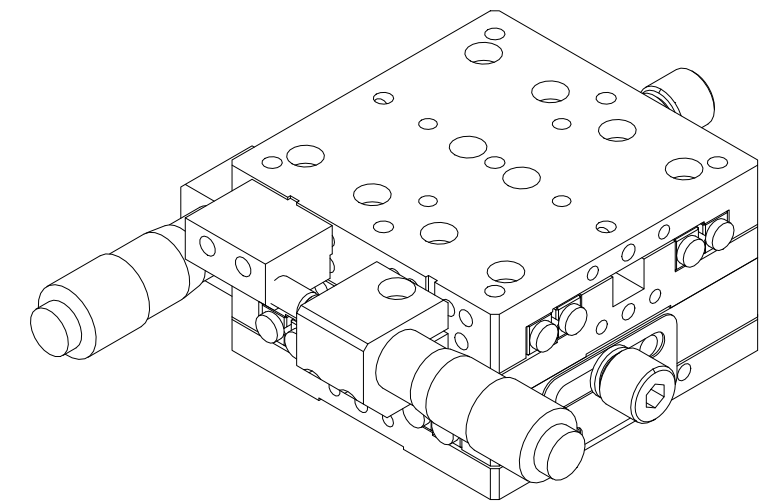
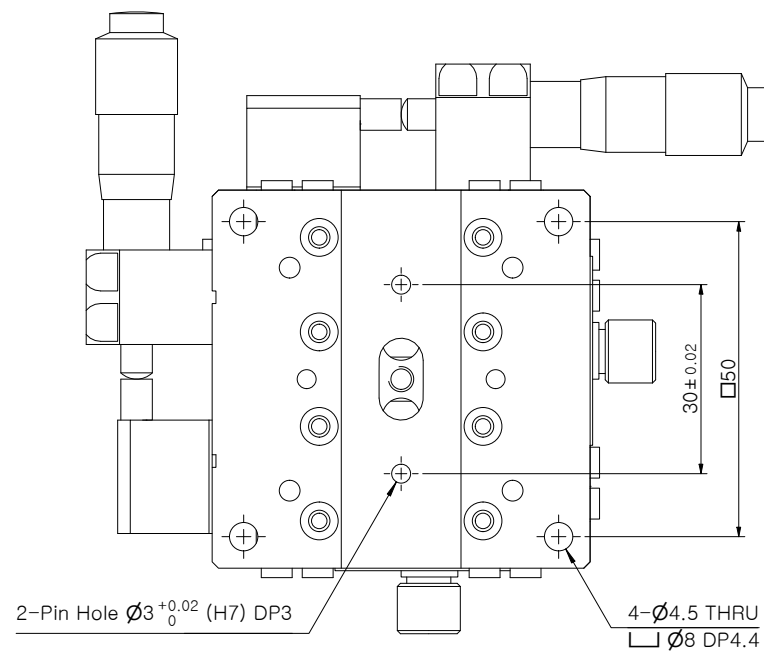
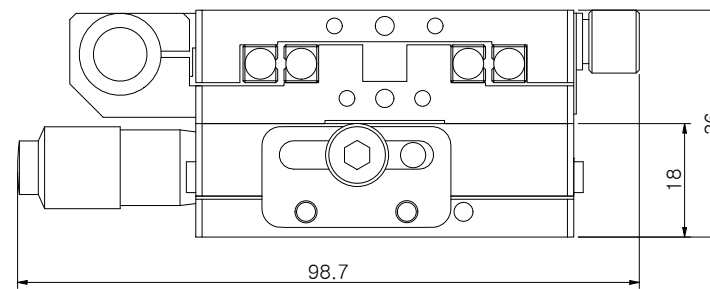
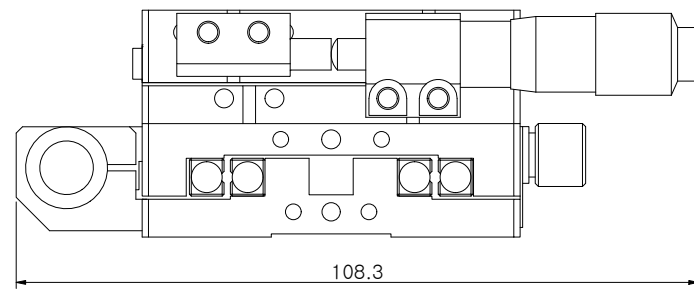
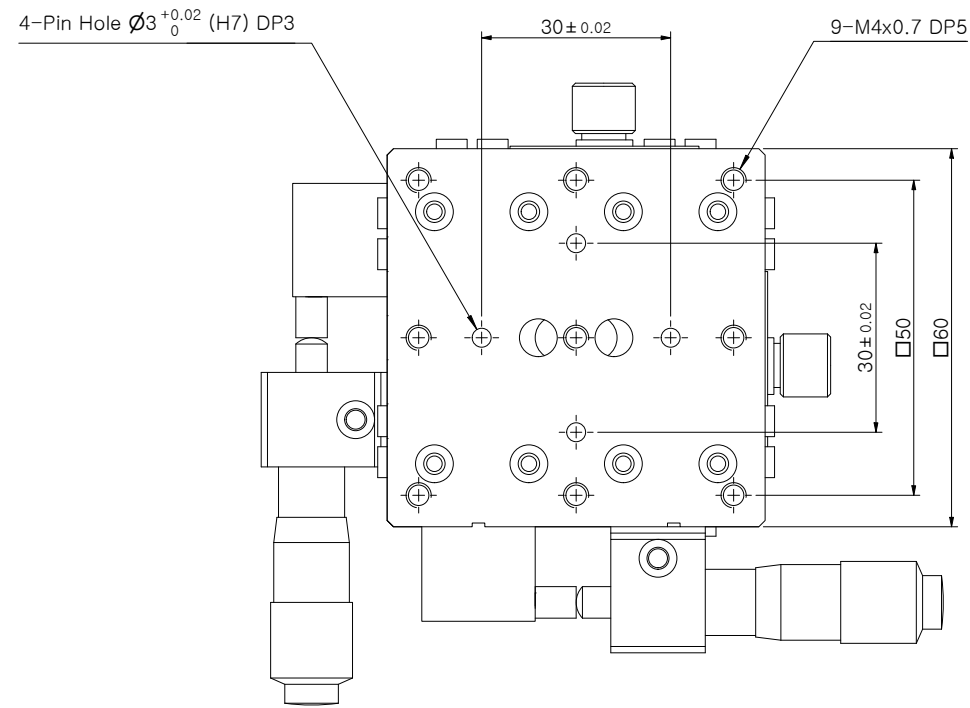
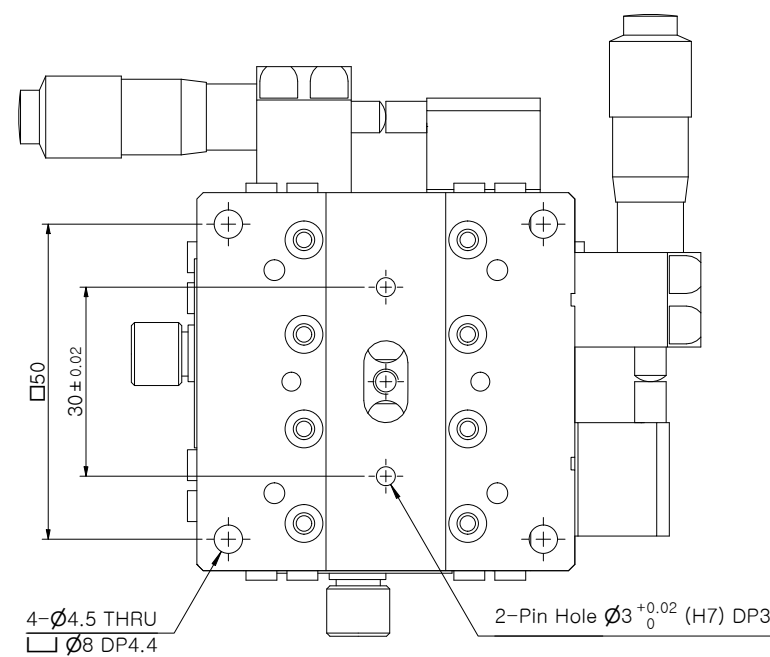
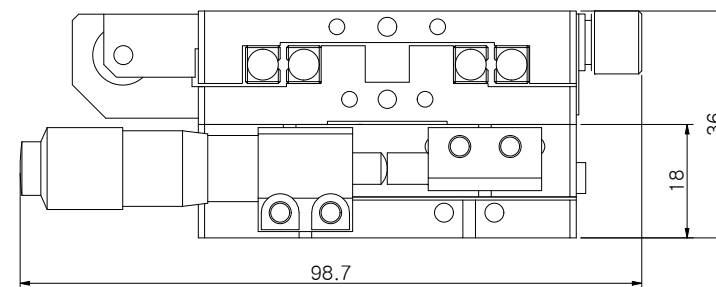
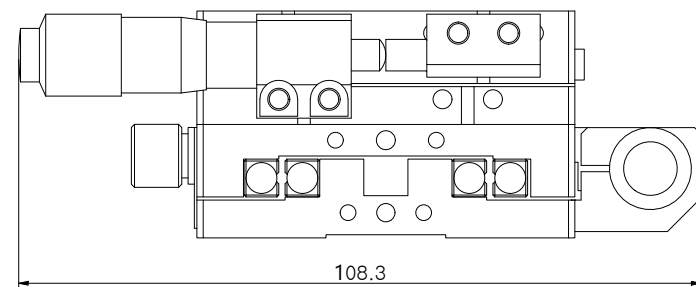
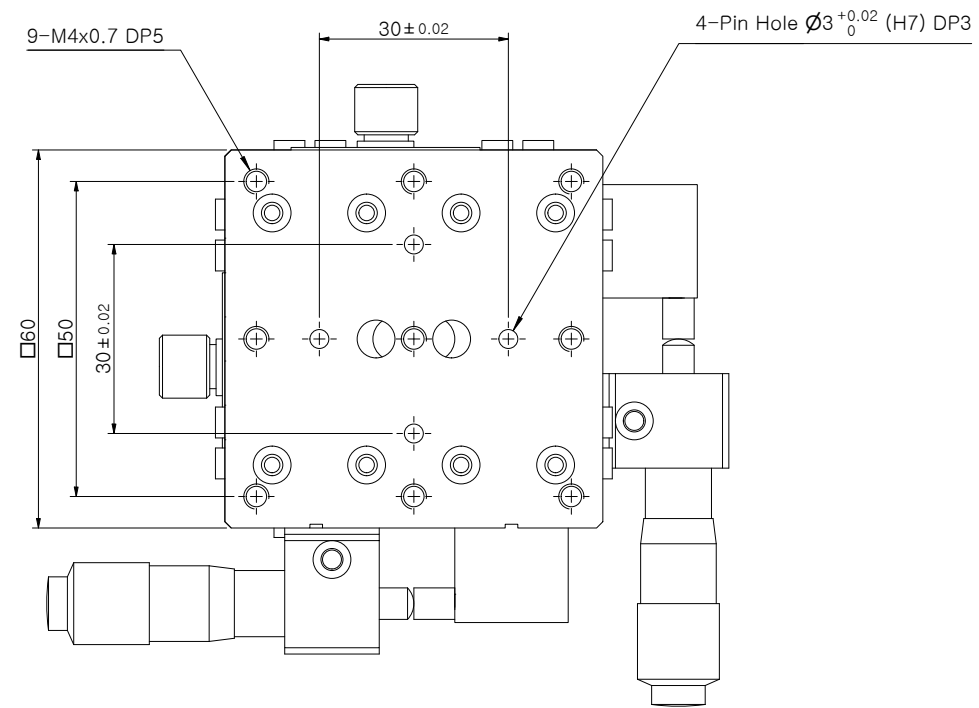


## SPECIFICATION

Axis	XY	-
Table size	60*60	[ mm ]
Travel Range	± 6.5	[ mm ]
Mechanical Type	Micrometer Head	-
Resolution	0.01	[ mm ]
Guide Mechanism	Cross Roller Guide	-
Parallelism	0.03	[ mm ]
Running Parallelism	0.02	[ mm ]
Straightness	0.008	[ mm ]
Materials / Finish	Aluminium / Black Ano	-
Load Capacity	5	[ kgf ]
Product Weight	0.5	[ kg ]

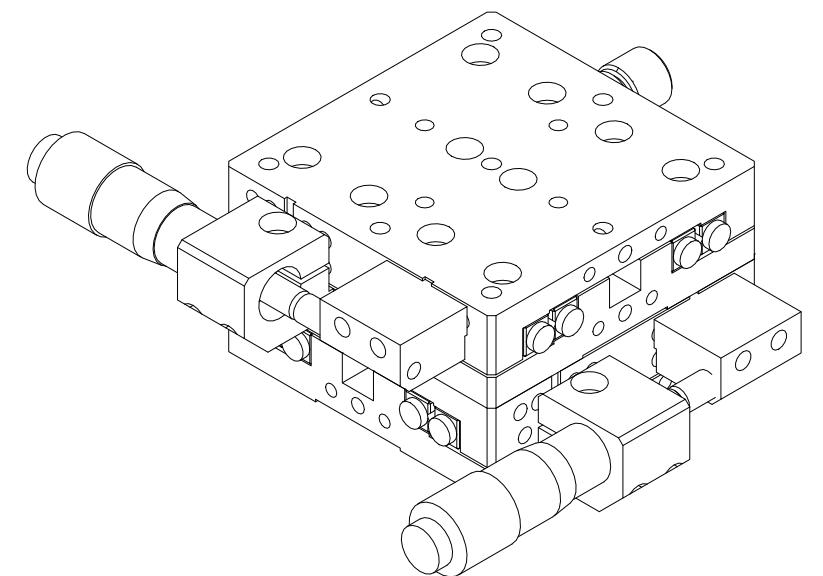


UNIT	MM	<b>JAEWON</b> JAEWON.CO.,LTD.	TITLE	XY-60-AMC-LL

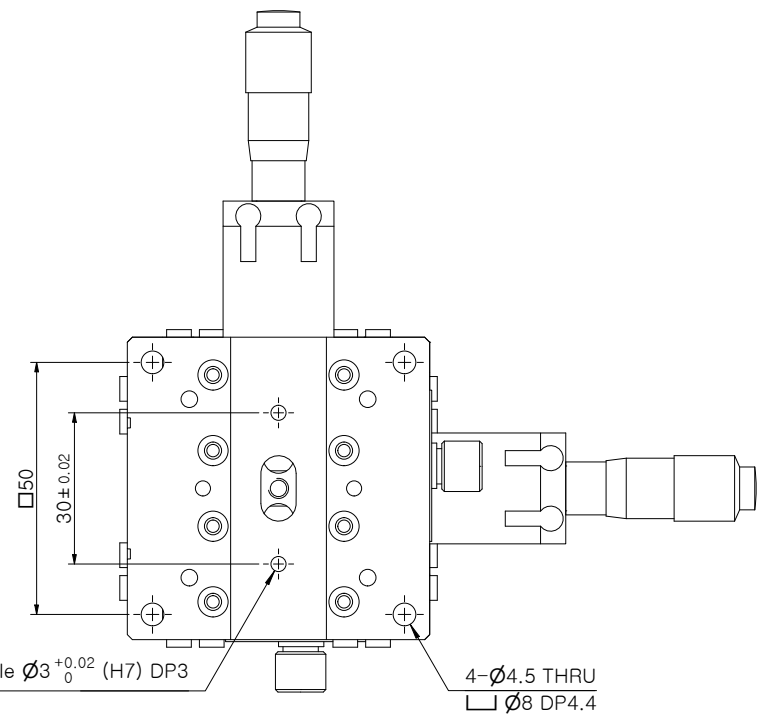
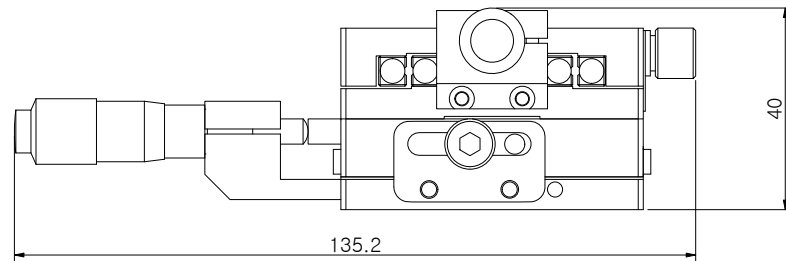
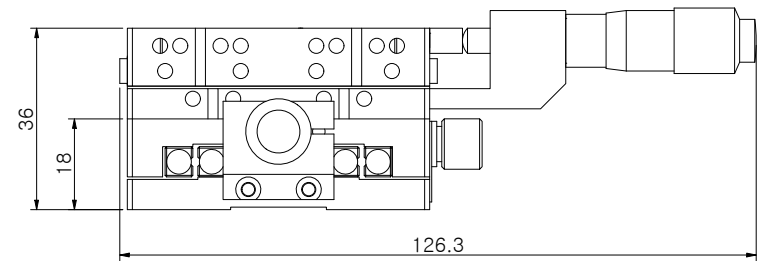
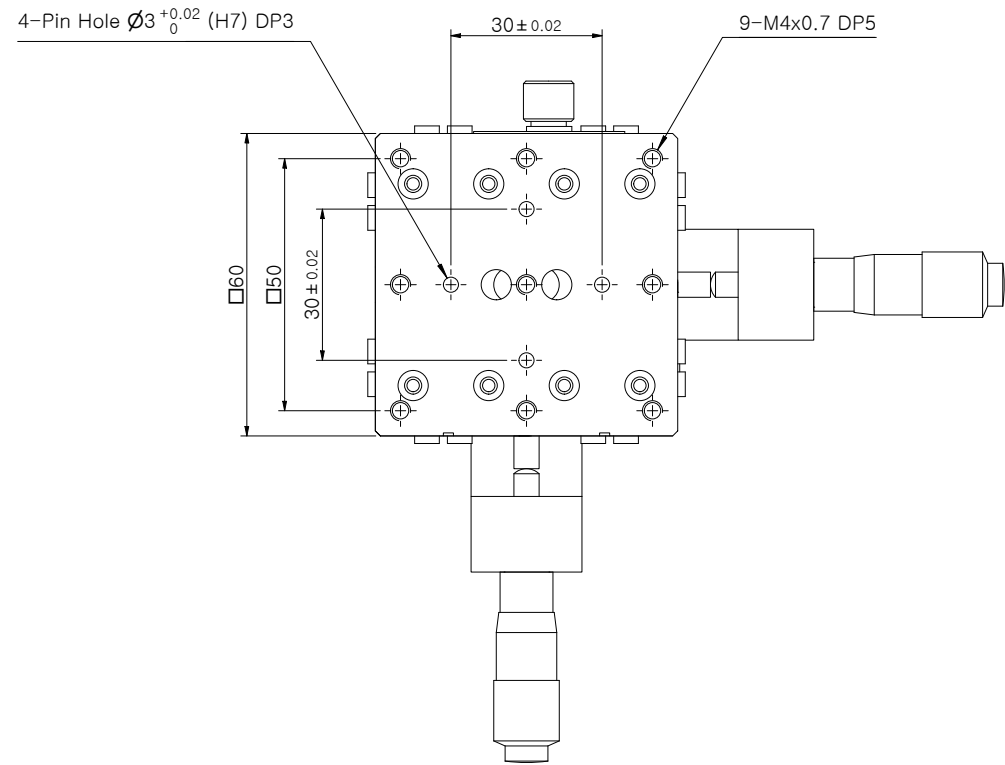


## SPECIFICATION

Axis	XY	-
Table size	60*60	[ mm ]
Travel Range	± 6.5	[ mm ]
Mechanical Type	Micrometer Head	-
Resolution	0.01	[ mm ]
Guide Mechanism	Cross Roller Guide	-
Parallelism	0.03	[ mm ]
Running Parallelism	0.02	[ mm ]
Straightness	0.008	[ mm ]
Materials / Finish	Aluminium / Black Ano	-
Load Capacity	5	[ kgf ]
Product Weight	0.5	[ kg ]

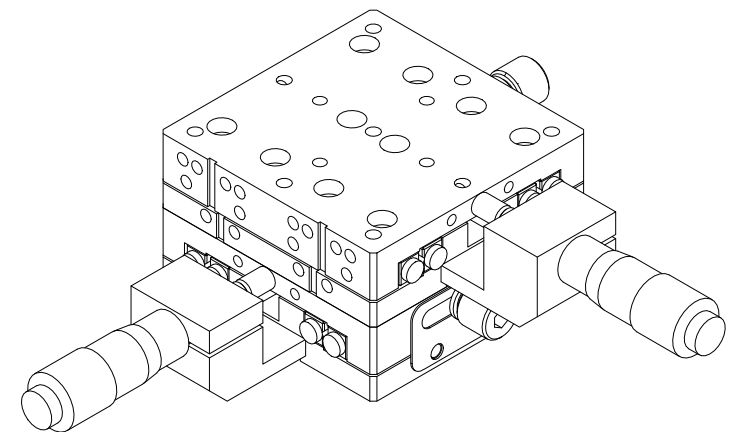



UNIT	MM	 <b>JAEWON</b> JAEWON.CO.,LTD.	TITLE	XY-60-AMC-RR
				



### SPECIFICATION

Axis	XY	-
Table size	60*60	[ mm ]
Travel Range	± 6.5	[ mm ]
Mechanical Type	Micrometer Head	-
Resolution	0.01	[ mm ]
Guide Mechanism	Cross Roller Guide	-
Parallelism	0.03	[ mm ]
Running Parallelism	0.02	[ mm ]
Straightness	0.008	[ mm ]
Materials / Finish	Aluminium / Black Ano	-
Load Capacity	5	[ kgf ]
Product Weight	0.5	[ kg ]



UNIT	MM	 <b>JAEWON</b> JAEWON.CO.,LTD.	TITLE	XY-60-AMC-CC