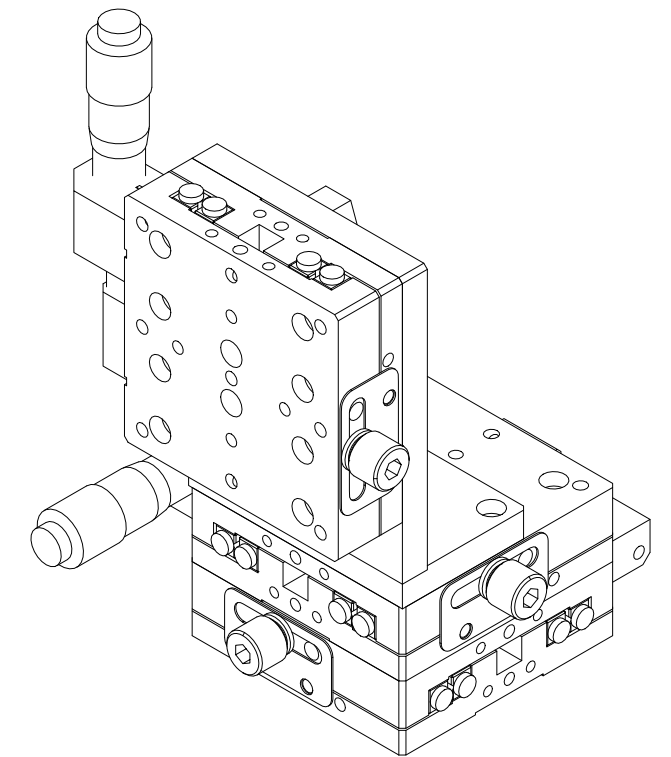
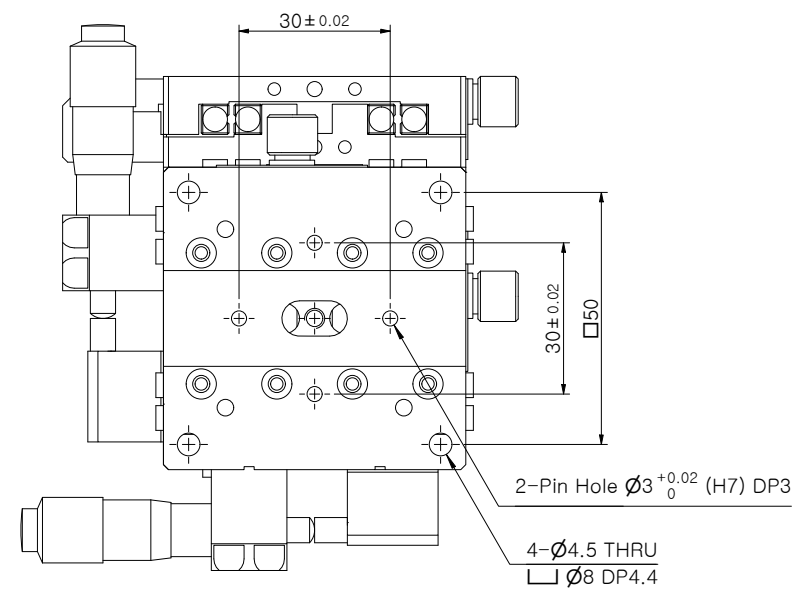
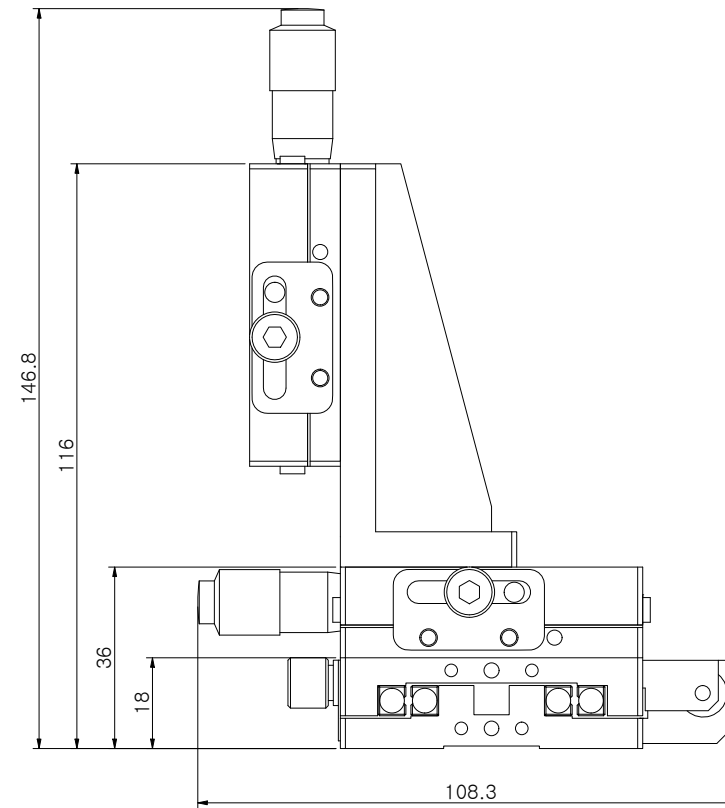
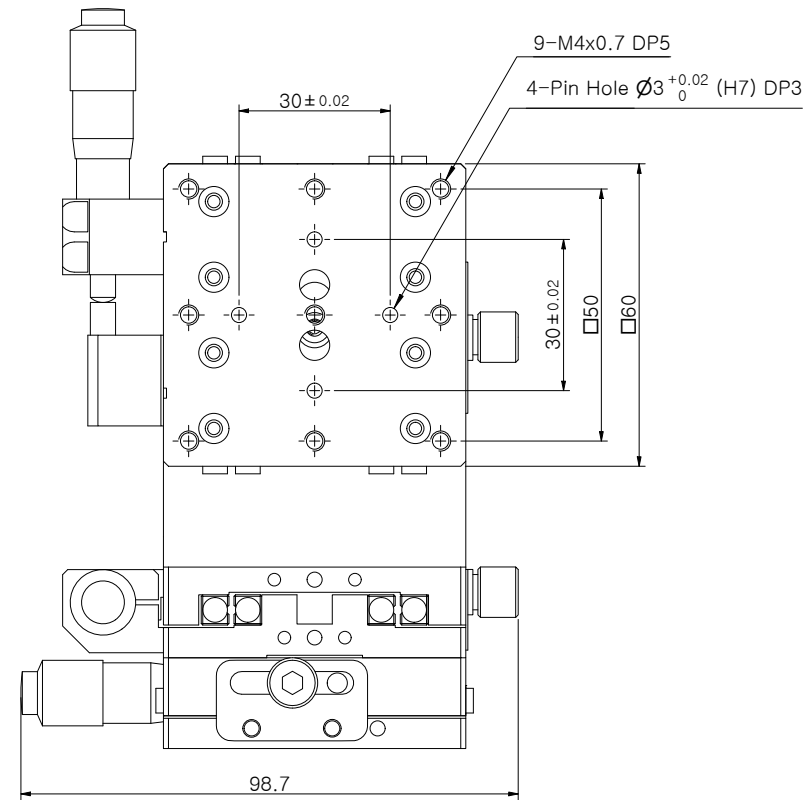


SPECIFICATION

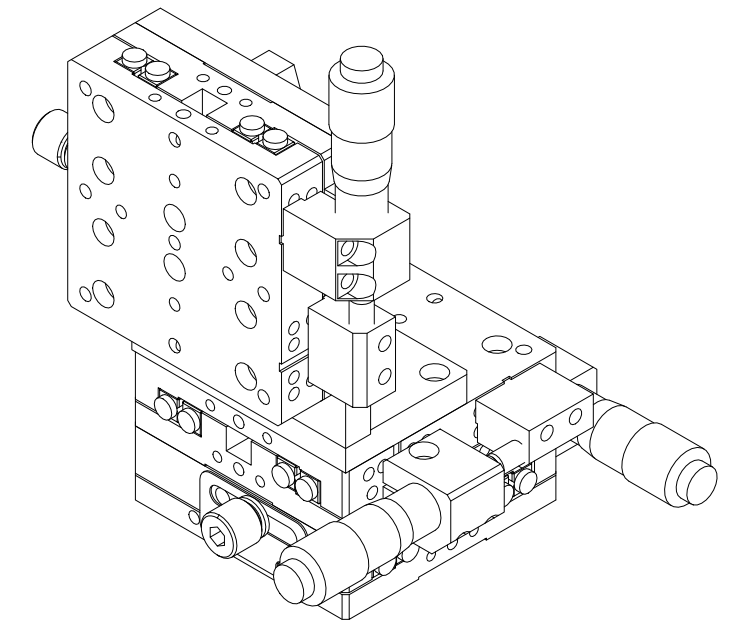
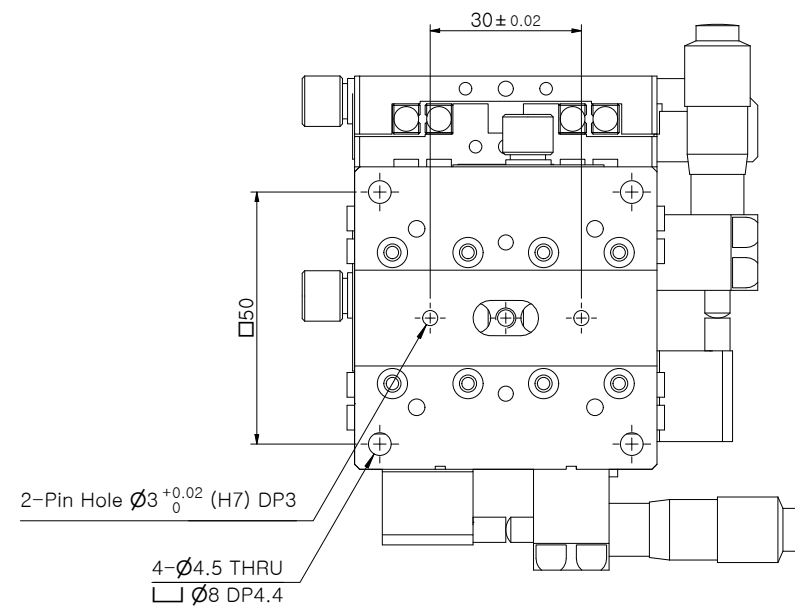
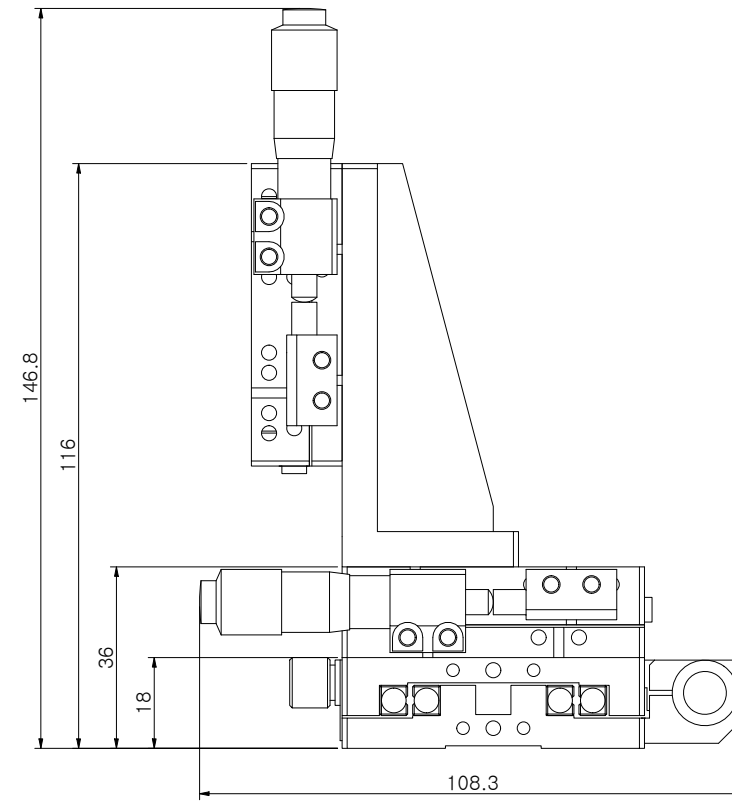
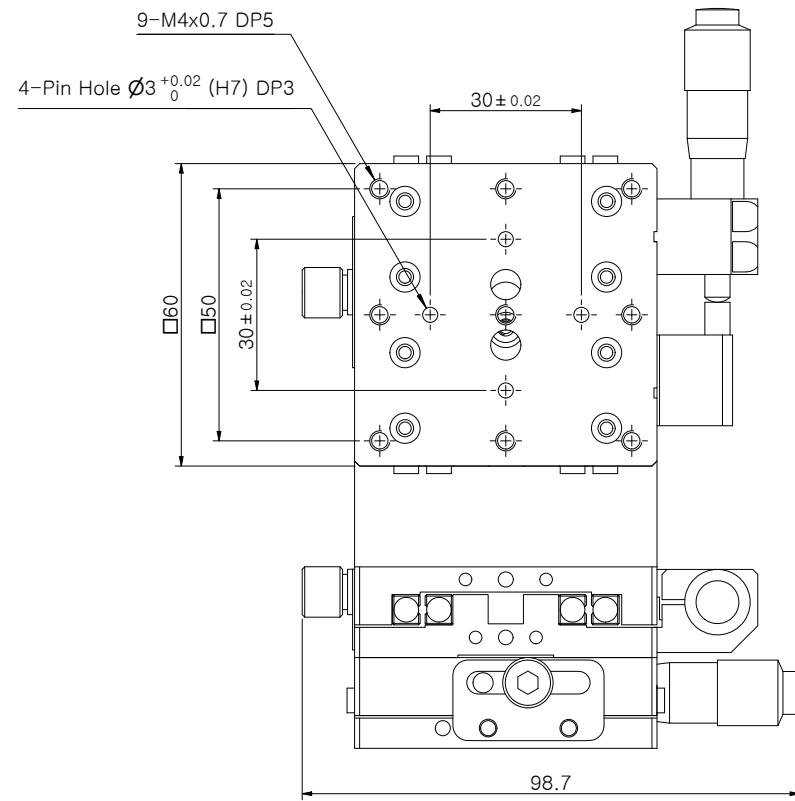
| | | |
|---------------------|-----------------------|---------|
| Axis | XYZ-Vertical | - |
| Table size | 60*60 | [mm] |
| Travel Range | ± 6.5 | [mm] |
| Mechanical Type | Micrometer Head | - |
| Resolution | 0.01 | [mm] |
| Guide Mechanism | Cross Roller Guide | - |
| Parallelism | 0.03 | [mm] |
| Running Parallelism | 0.02 | [mm] |
| Straightness | 0.008 | [mm] |
| Materials / Finish | Aluminium / Black Ano | - |
| Load Capacity | 2 | [kgf] |
| Product Weight | 0.9 | [kg] |



| | | | | |
|------|----|----------------------------------|-------|----------------|
| UNIT | MM | JAEWON JAEWON.CO.,LTD. | TITLE | XYZ-60-AMC-LLL |
| | | | | |

SPECIFICATION

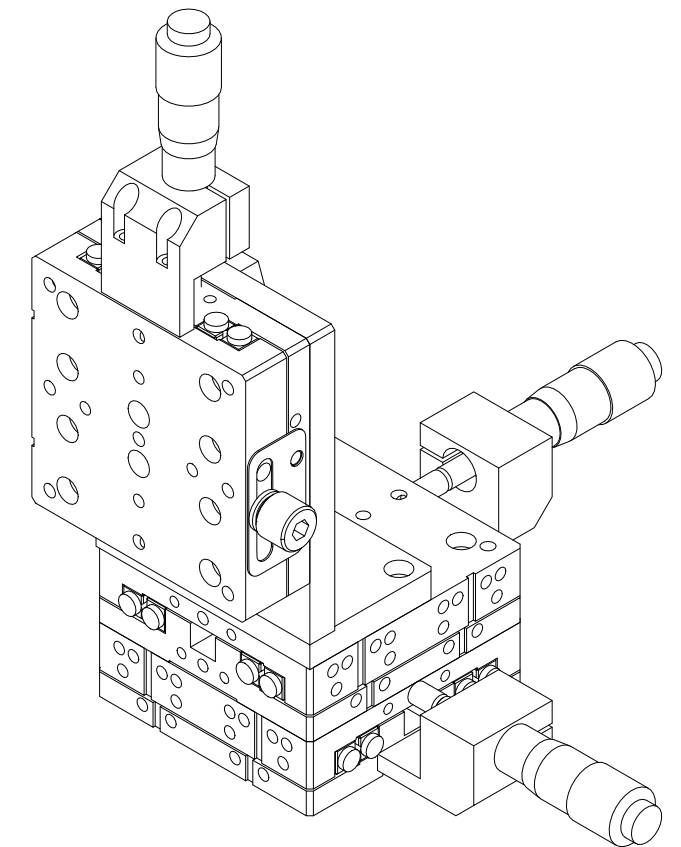
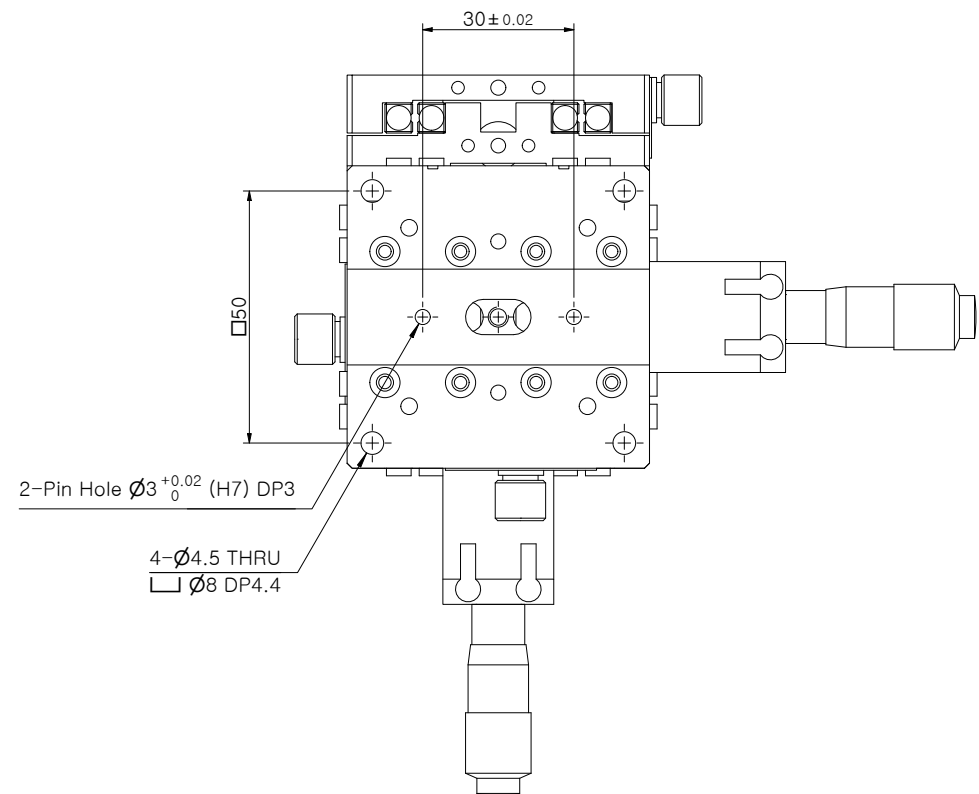
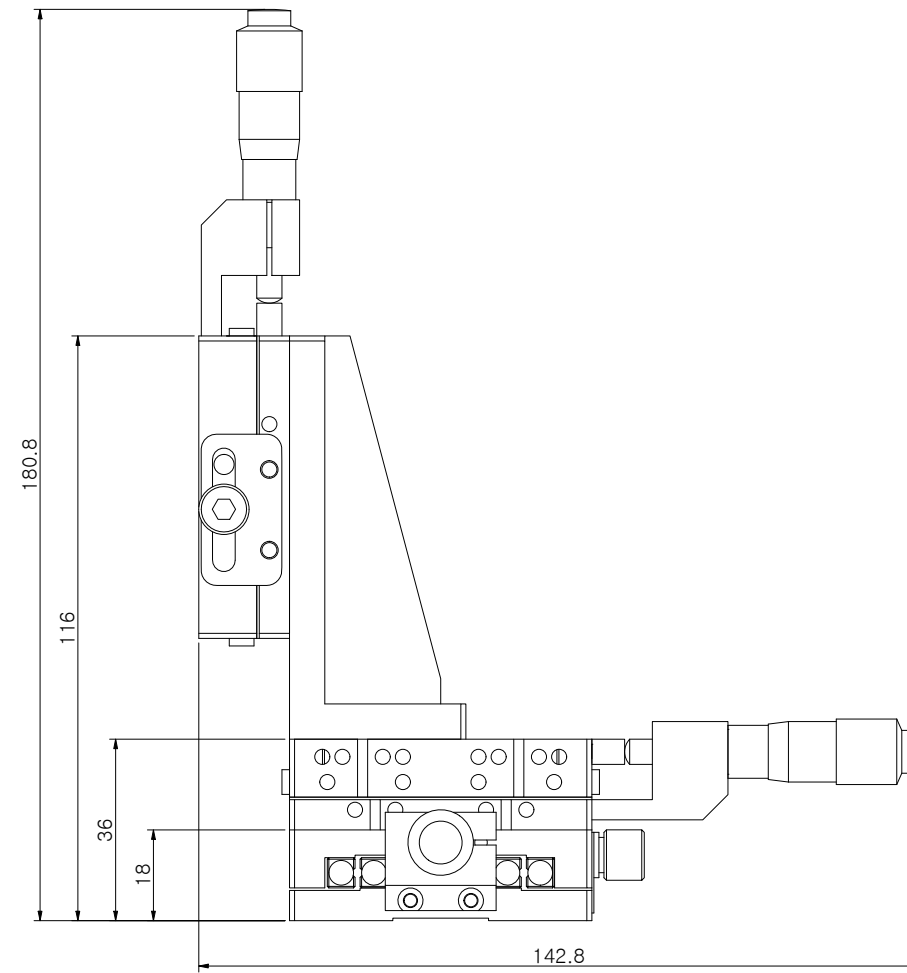
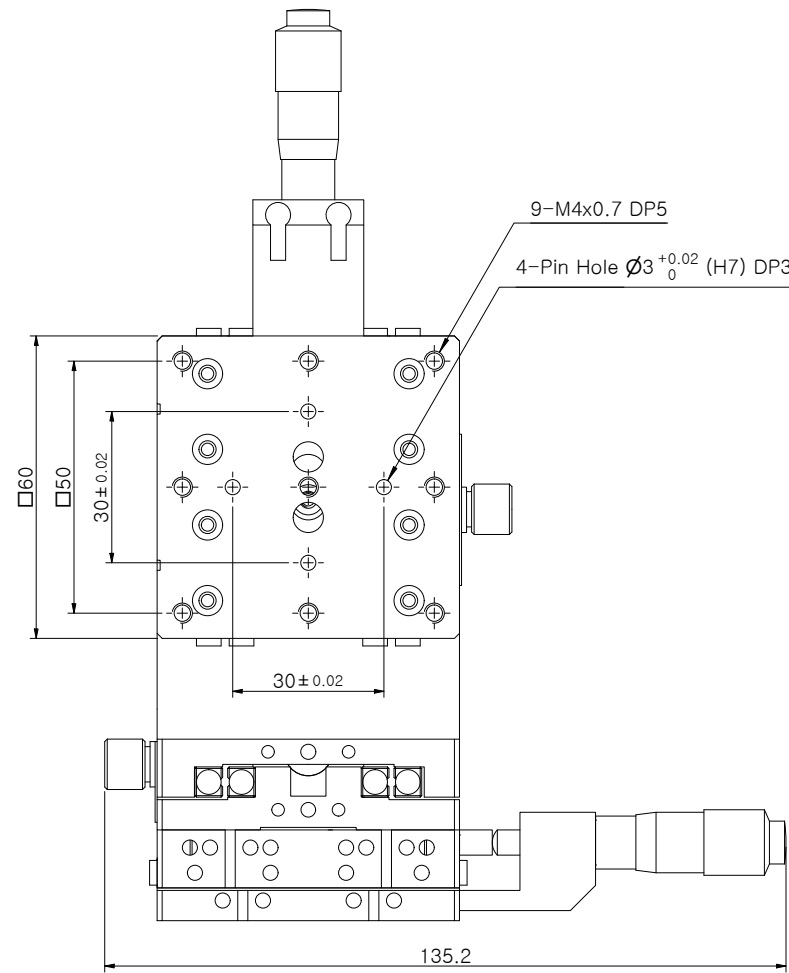
| | | |
|---------------------|-----------------------|---------|
| Axis | XYZ-Vertical | - |
| Table size | 60*60 | [mm] |
| Travel Range | ± 6.5 | [mm] |
| Mechanical Type | Micrometer Head | - |
| Resolution | 0.01 | [mm] |
| Guide Mechanism | Cross Roller Guide | - |
| Parallelism | 0.03 | [mm] |
| Running Parallelism | 0.02 | [mm] |
| Straightness | 0.008 | [mm] |
| Materials / Finish | Aluminium / Black Ano | - |
| Load Capacity | 2 | [kgf] |
| Product Weight | 0.9 | [kg] |



| | | | | |
|---|----|--|-------|----------------|
| UNIT | MM |  JAEWON JAEWON.CO.,LTD. | TITLE | XYZ-60-AMC-RRR |
|  | | | | |

SPECIFICATION

| | | |
|---------------------|-----------------------|---------|
| Axis | XYZ-Vertical | - |
| Table size | 60*60 | [mm] |
| Travel Range | ± 6.5 | [mm] |
| Mechanical Type | Micrometer Head | - |
| Resolution | 0.01 | [mm] |
| Guide Mechanism | Cross Roller Guide | - |
| Parallelism | 0.03 | [mm] |
| Running Parallelism | 0.02 | [mm] |
| Straightness | 0.008 | [mm] |
| Materials / Finish | Aluminium / Black Ano | - |
| Load Capacity | 2 | [kgf] |
| Product Weight | 0.9 | [kg] |



| | | | | |
|------|----|----------------------------------|-------|----------------|
| UNIT | MM | JAEWON JAEWON.CO.,LTD. | TITLE | XYZ-60-AMC-CCC |
| | | | | |