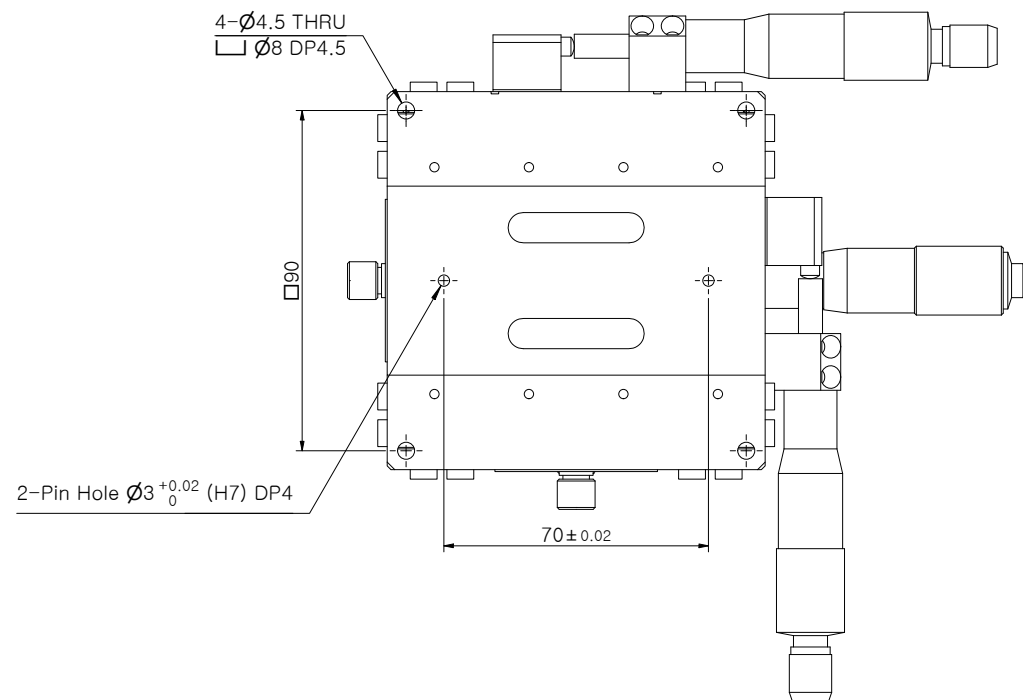
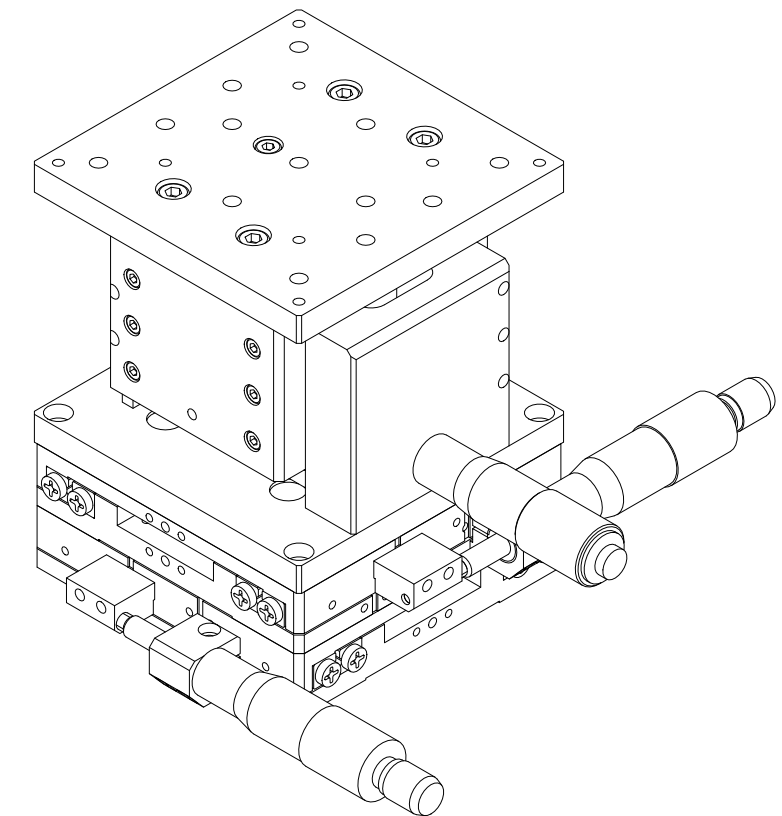
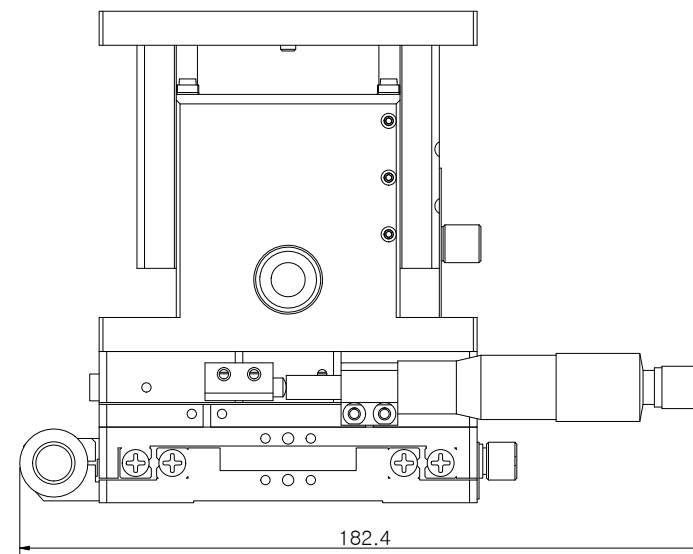
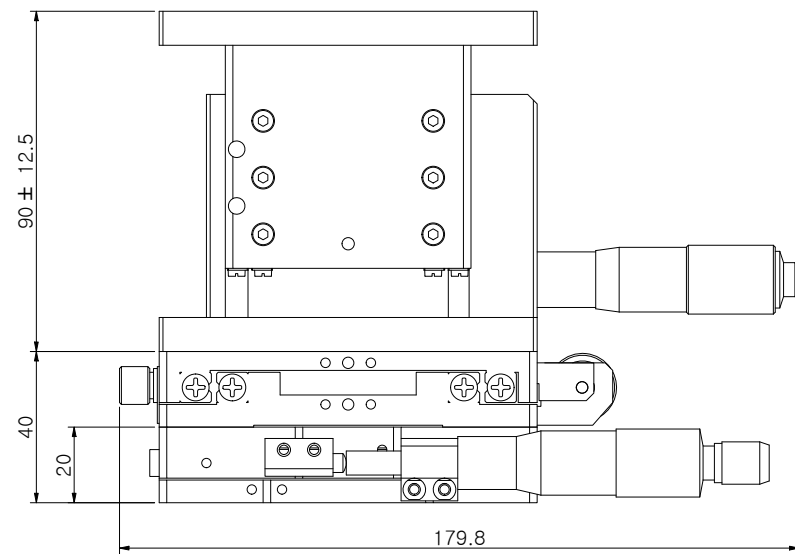
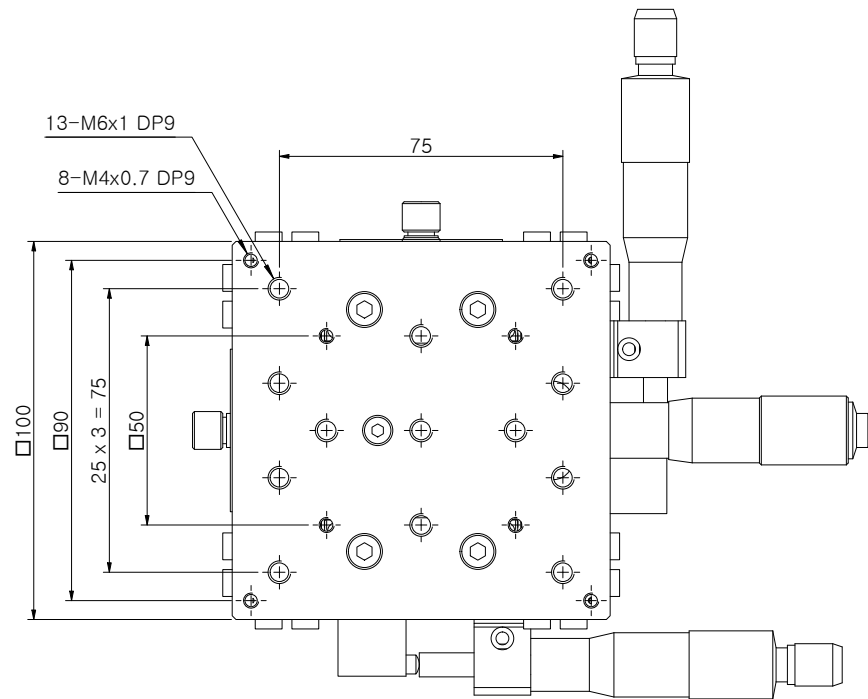


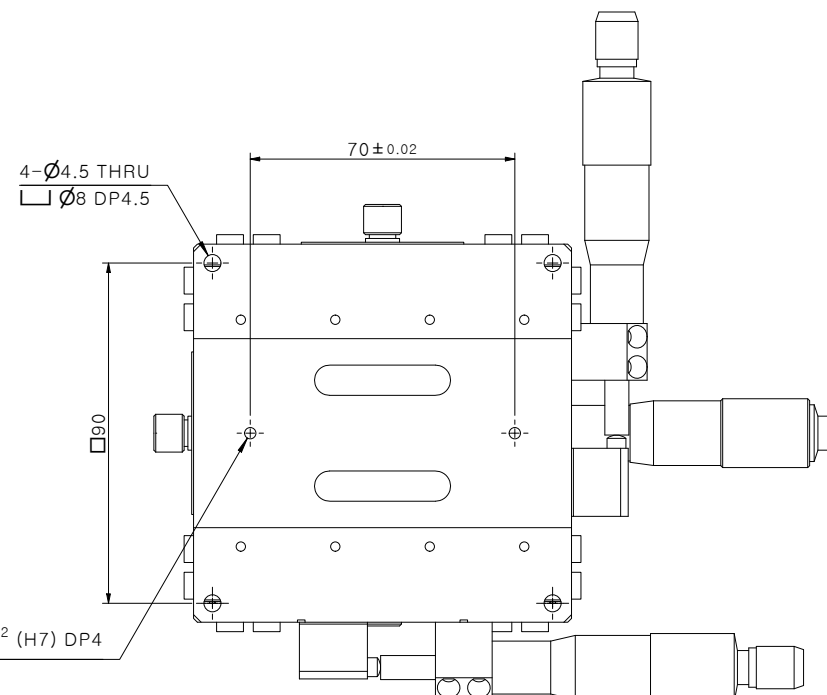
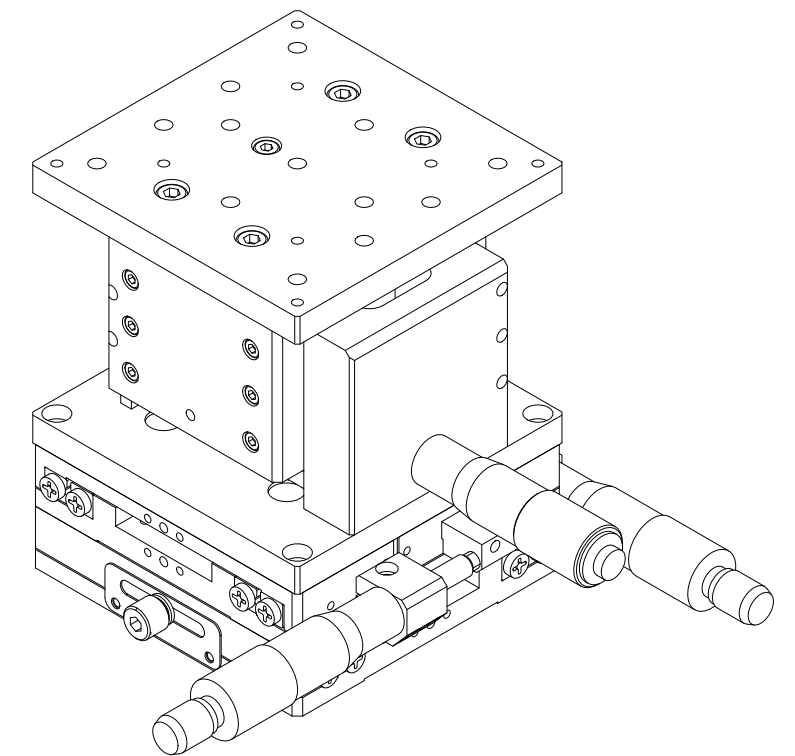
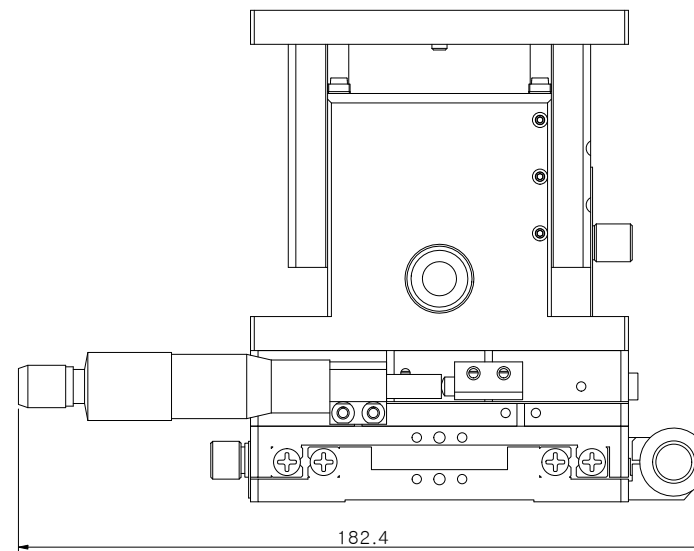
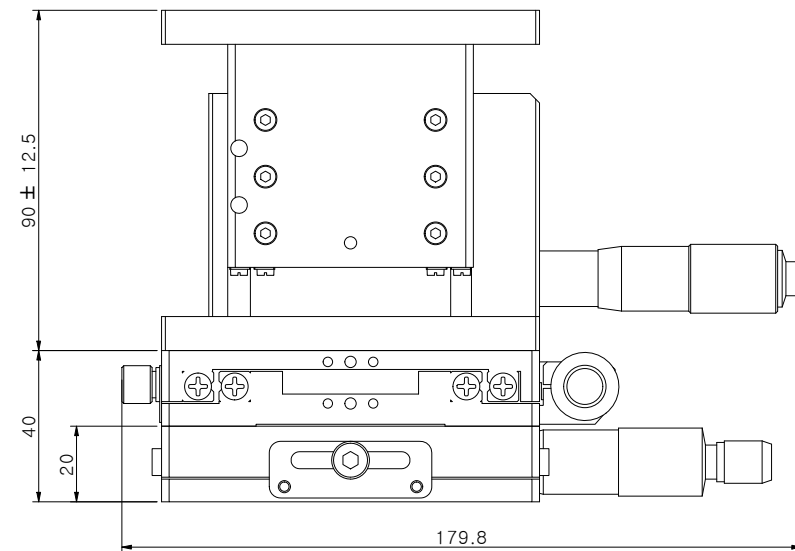
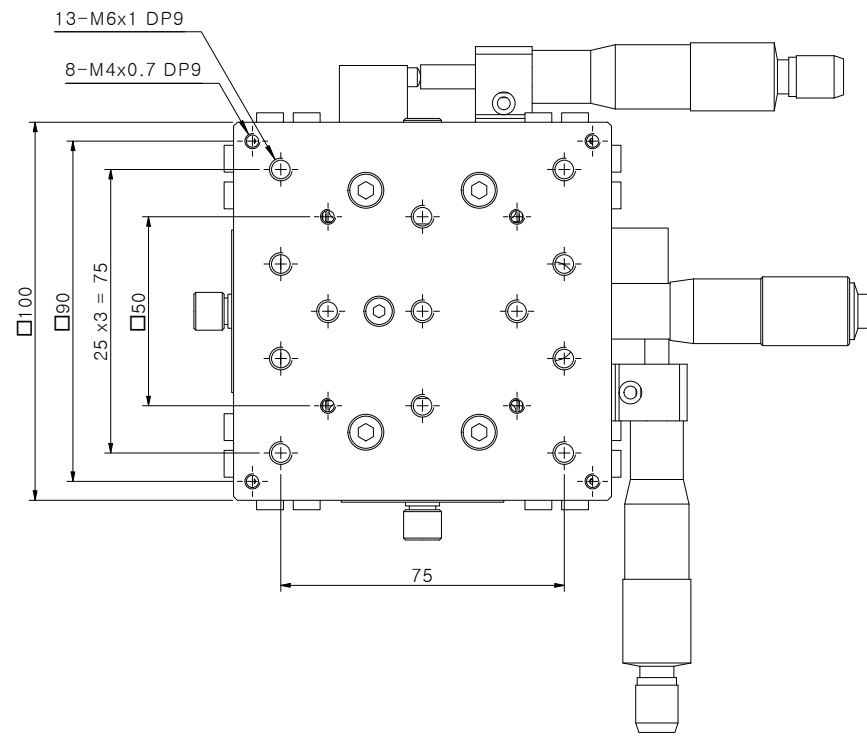
SPECIFICATION

Axis	XYZ-Horizontal	-
Table size	100*100	[mm]
Travel Range	± 12.5	[mm]
Mechanical Type	Micrometer Head	-
Resolution	0.01	[mm]
Guide Mechanism	Cross Roller Guide	-
Materials / Finish	Aluminium / Black Ano	-
Load Capacity	6	[kgf]
Product Weight	2	[kg]



SPECIFICATION

Axis	XYZ-Horizontal	-
Table size	100*100	[mm]
Travel Range	± 12.5	[mm]
Mechanical Type	Micrometer Head	-
Resolution	0.01	[mm]
Guide Mechanism	Cross Roller Guide	-
Materials / Finish	Aluminium / Black Ano	-
Load Capacity	6	[kgf]
Product Weight	2	[kg]

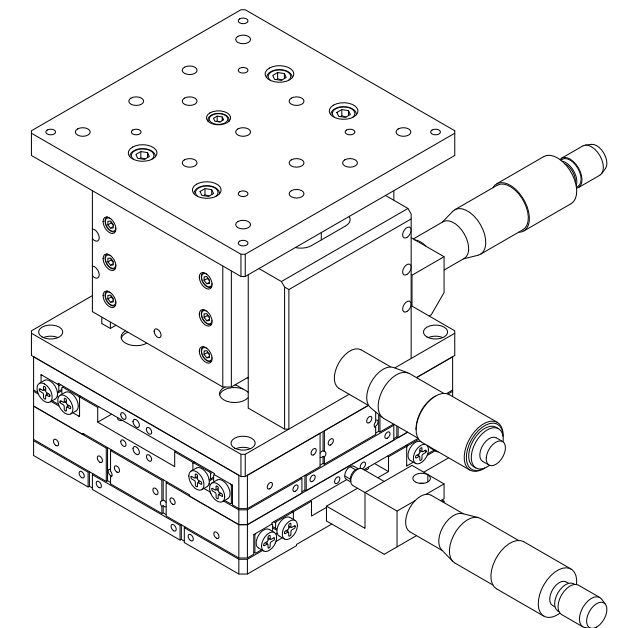
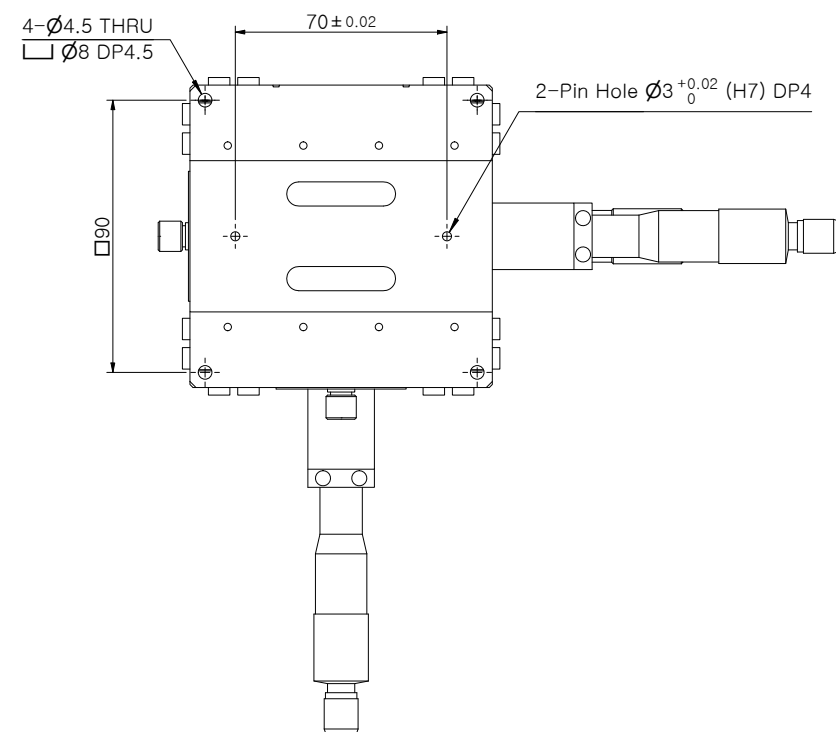
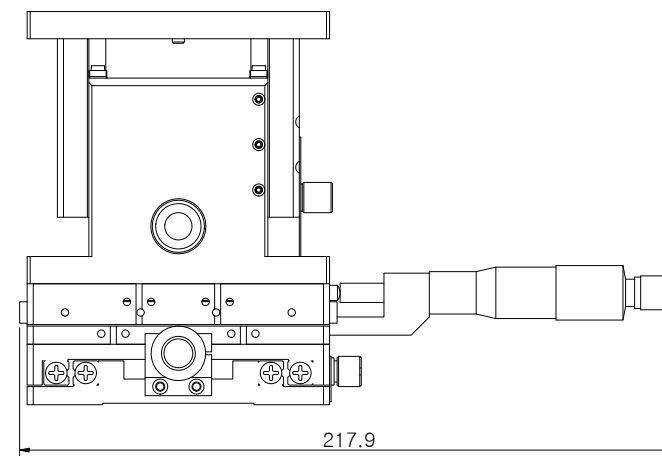
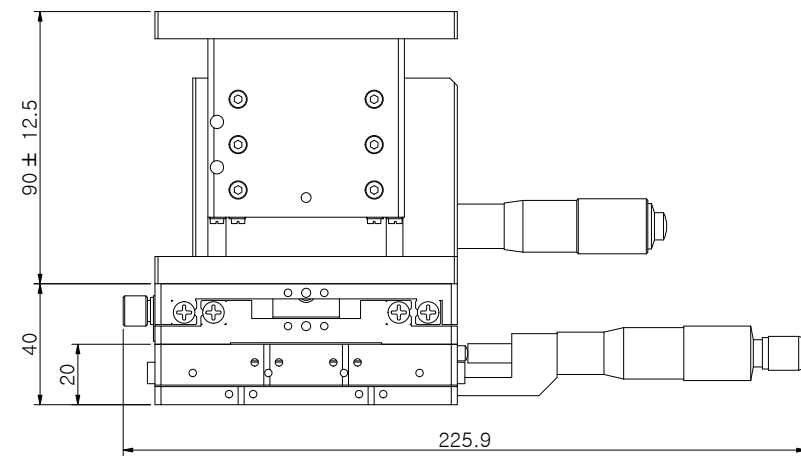
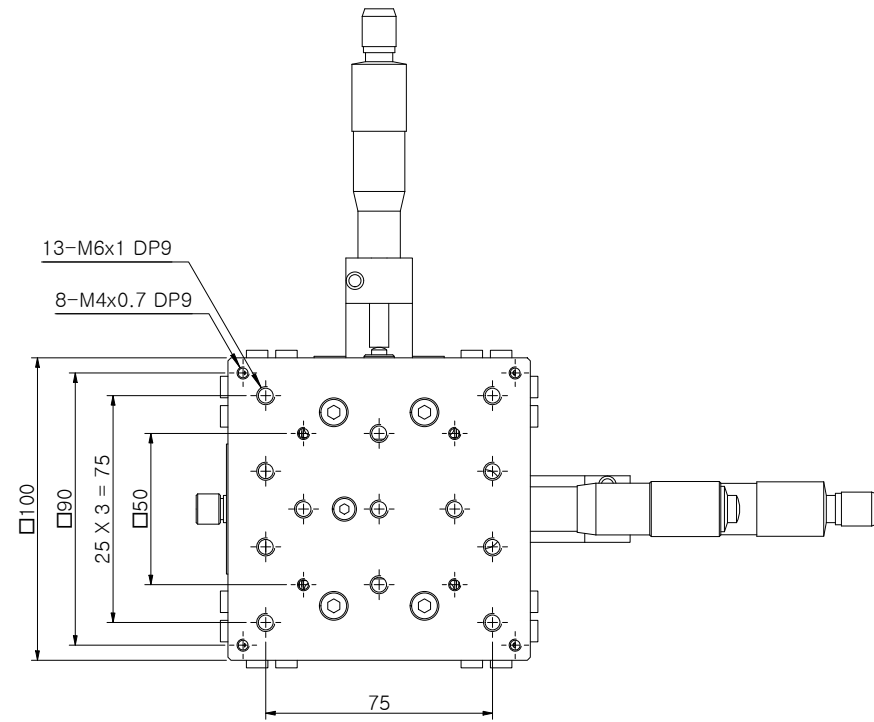


2-Pin Hole $\varnothing 3^{+0.02}_0$ (H7) DP4

UNIT	MM	JAEWON JAEWON.CO.,LTD.	TITLE	XYH-100-AMC-RR

SPECIFICATION

Axis	XYZ-Horizontal	-
Table size	100*100	[mm]
Travel Range	± 12.5	[mm]
Mechanical Type	Micrometer Head	-
Resolution	0.01	[mm]
Guide Mechanism	Cross Roller Guide	-
Materials / Finish	Aluminium / Black Ano	-
Load Capacity	6	[kgf]
Product Weight	2	[kg]



UNIT	MM	JAEWON JAEWON.CO.,LTD.	TITLE	XYH-100-AMC-CC