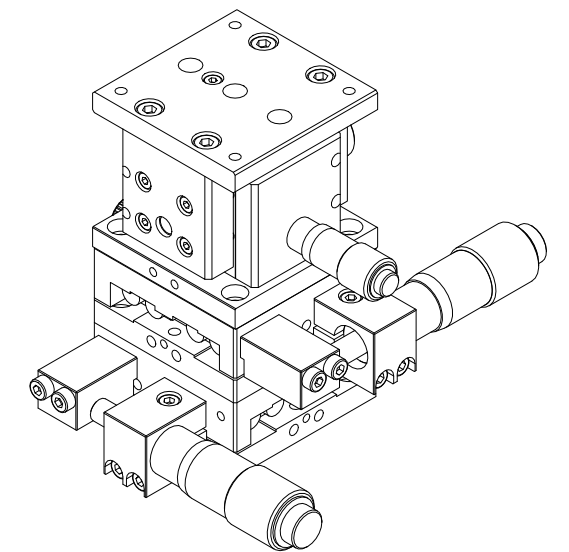
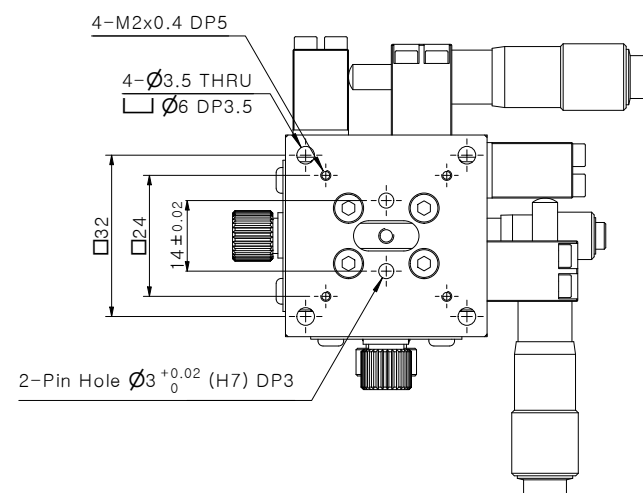
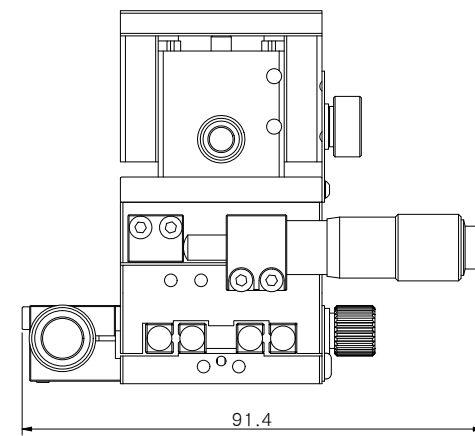
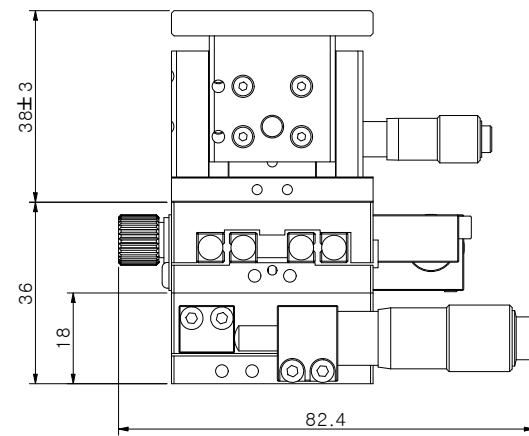
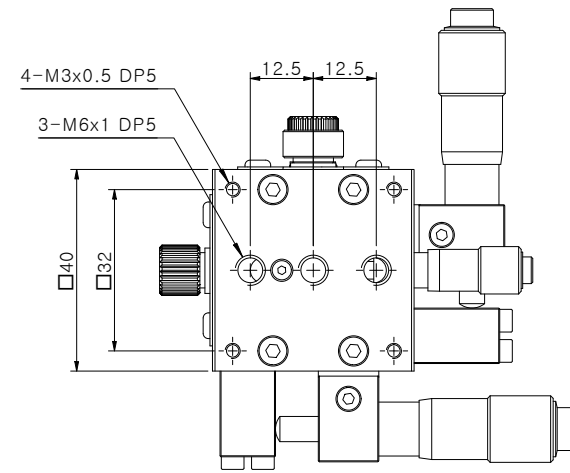


SPECIFICATION

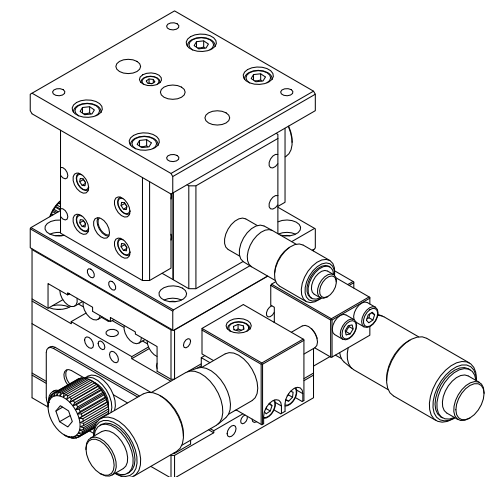
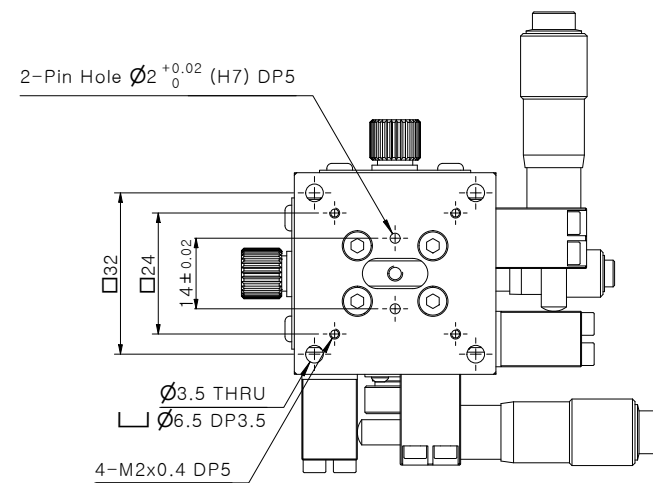
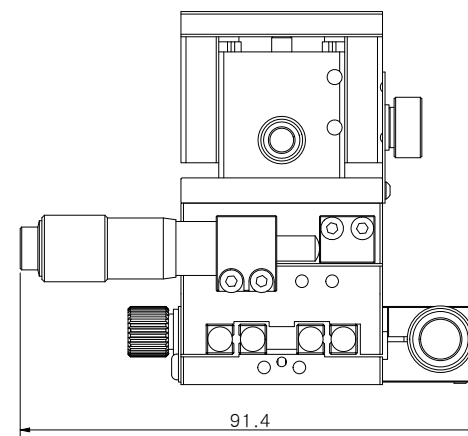
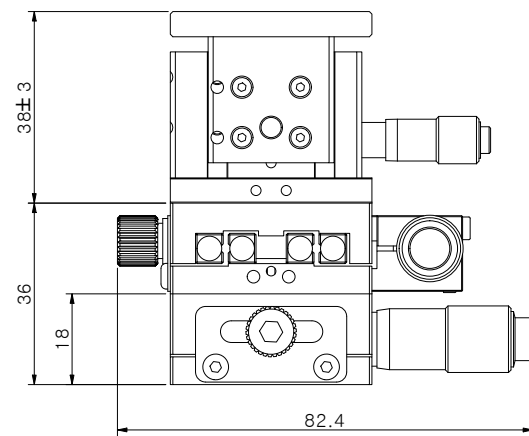
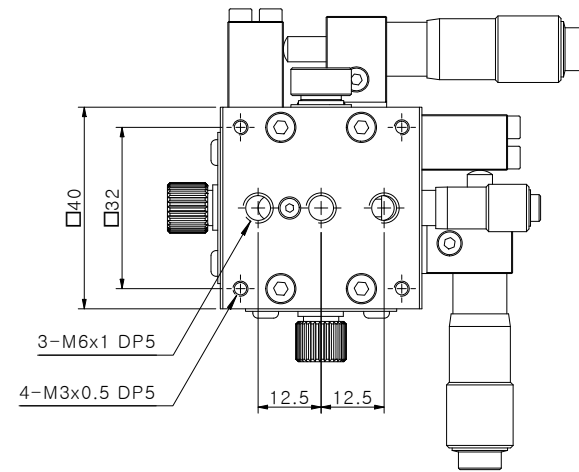
Axis	XYZ-Horizontal	-
Table size	40*40	[mm]
Travel Range	X,Y: ±6.5 / Z: ±3	[mm]
Mechanical Type	Micrometer Head	-
Resolution	0.01	[mm]
Guide Mechanism	Cross Roller Guide	-
Materials / Finish	Aluminium / Black Ano	-
Load Capacity	1	[kgf]
Product Weight	0.5	[kg]



UNIT	MM	JAEWON JAEWON.CO.,LTD.	TITLE	XYH-40-AMC-LL

SPECIFICATION

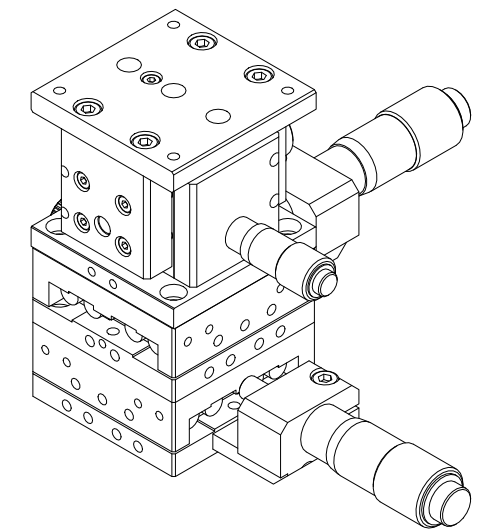
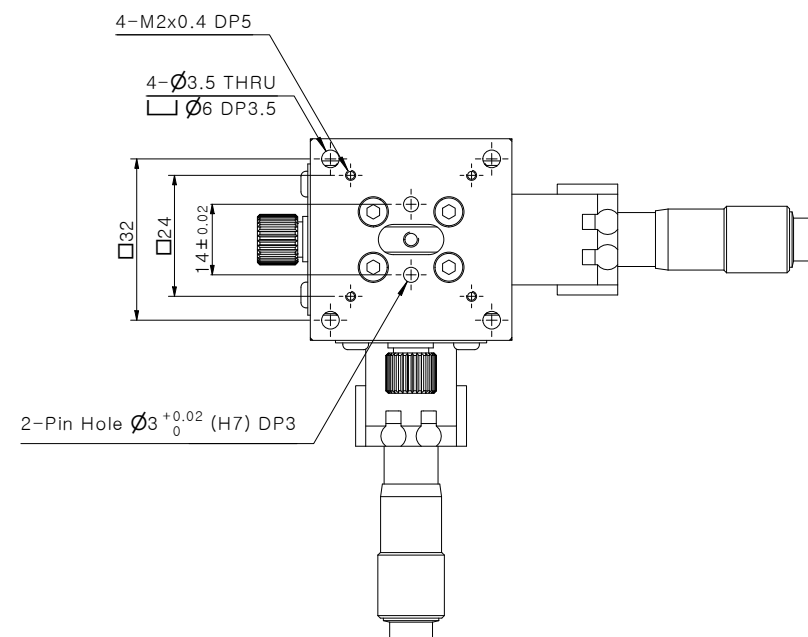
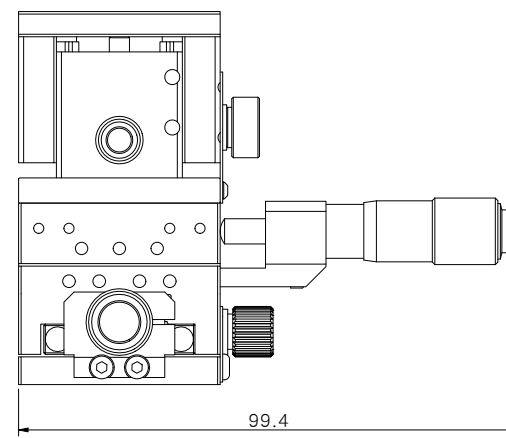
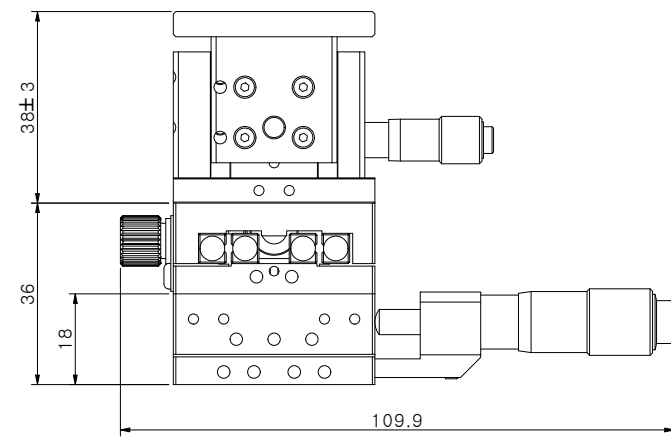
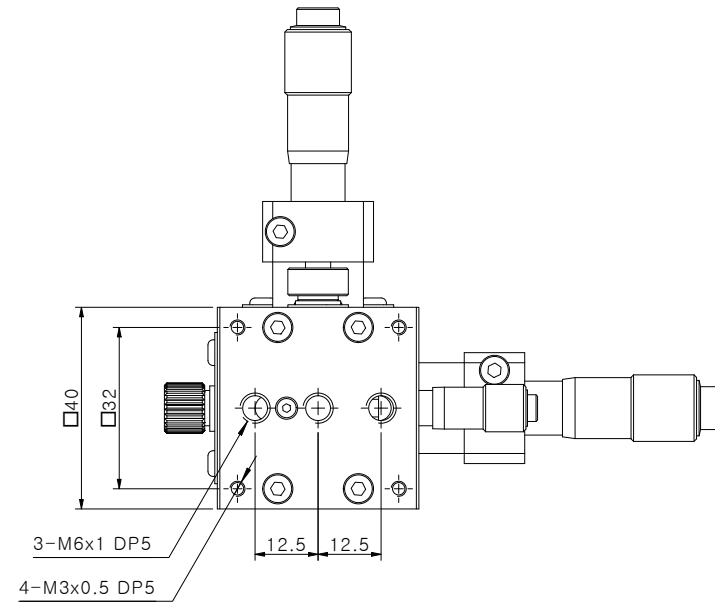
Axis	XYZ-Horizontal	-
Table size	40*40	[mm]
Travel Range	X,Y: ±6.5 / Z: ±3	[mm]
Mechanical Type	Micrometer Head	-
Resolution	0.01	[mm]
Guide Mechanism	Cross Roller Guide	-
Materials / Finish	Aluminium / Black Ano	-
Load Capacity	1	[kgf]
Product Weight	0.5	[kg]



UNIT	MM	JAEWON JAEWON.CO.,LTD.	TITLE	XYH-40-AMC-RR

SPECIFICATION

Axis	XYZ-Horizontal	-
Table size	40*40	[mm]
Travel Range	X,Y: ±6.5 / Z: ±3	[mm]
Mechanical Type	Micrometer Head	-
Resolution	0.01	[mm]
Guide Mechanism	Cross Roller Guide	-
Materials / Finish	Aluminium / Black Ano	-
Load Capacity	1	[kgf]
Product Weight	0.5	[kg]



UNIT	MM	JAEWON JAEWON.CO.,LTD.	TITLE	XYH-40-AMC-CC