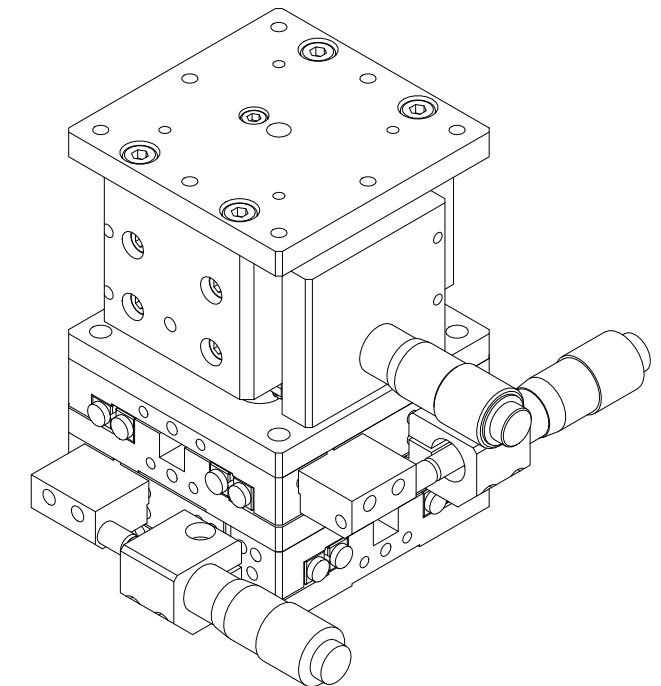
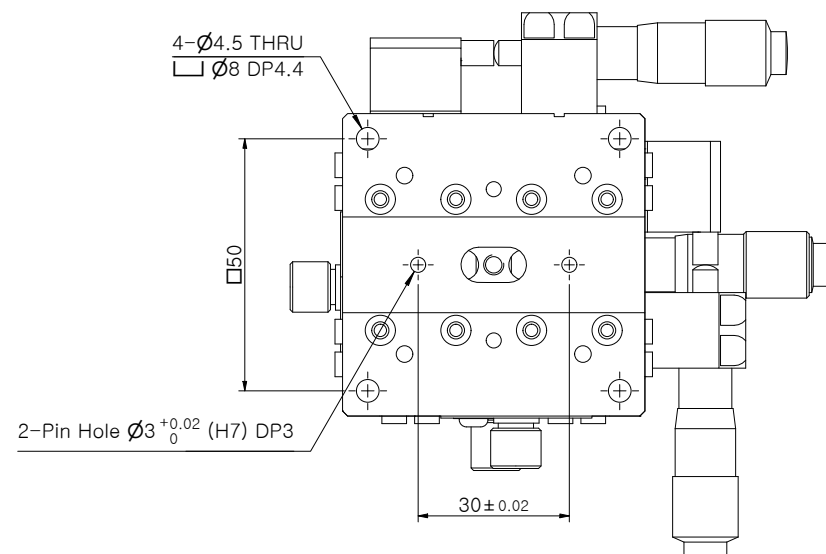
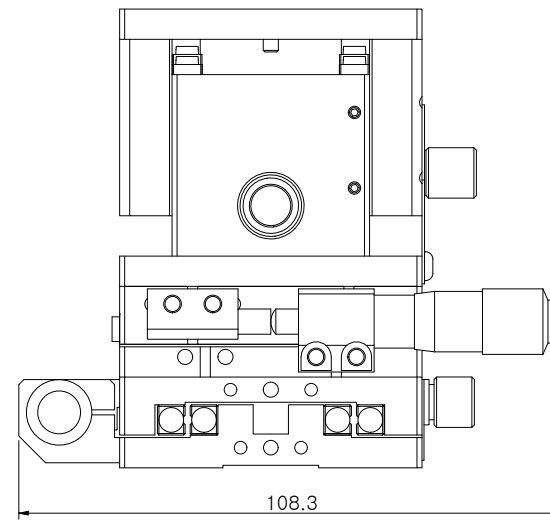
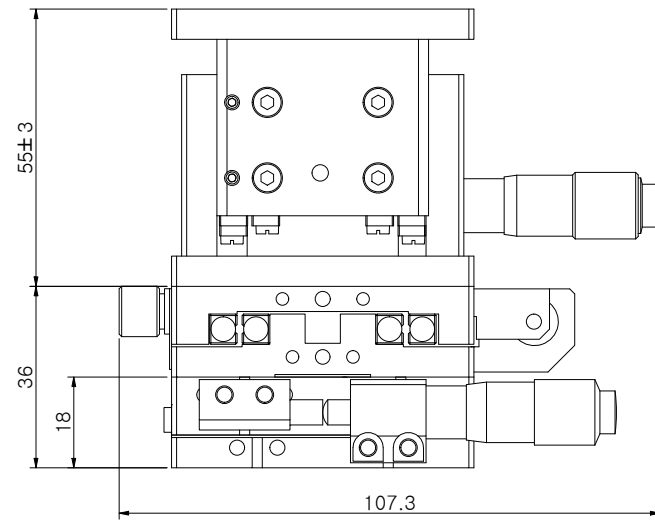
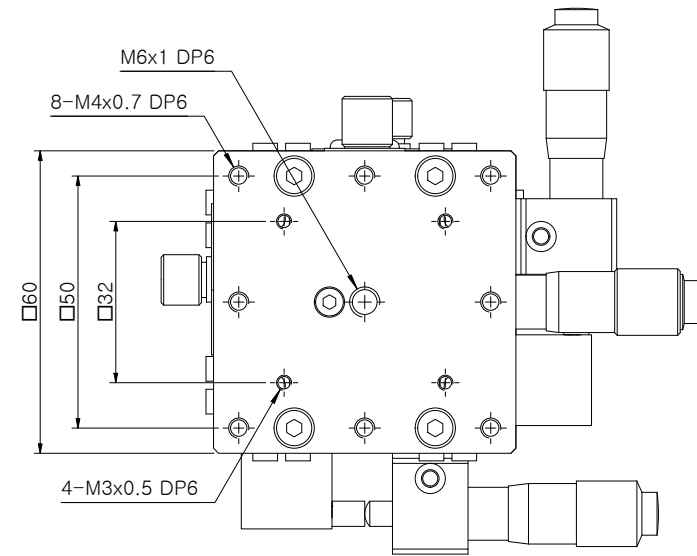


SPECIFICATION

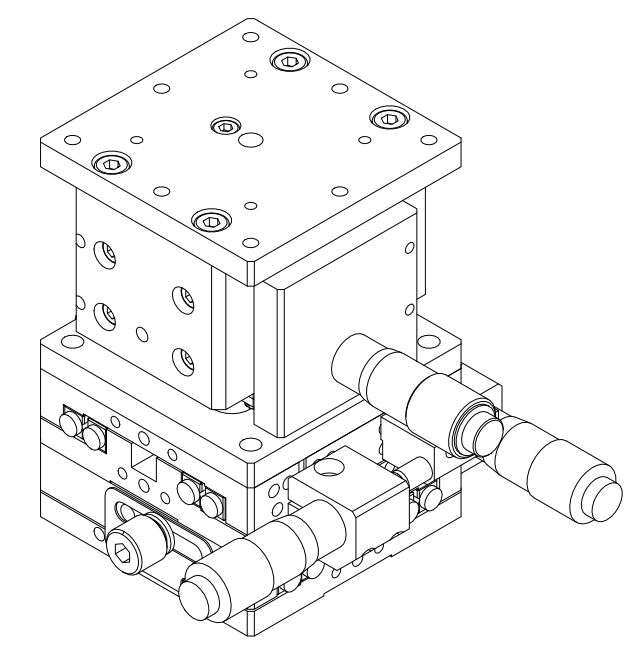
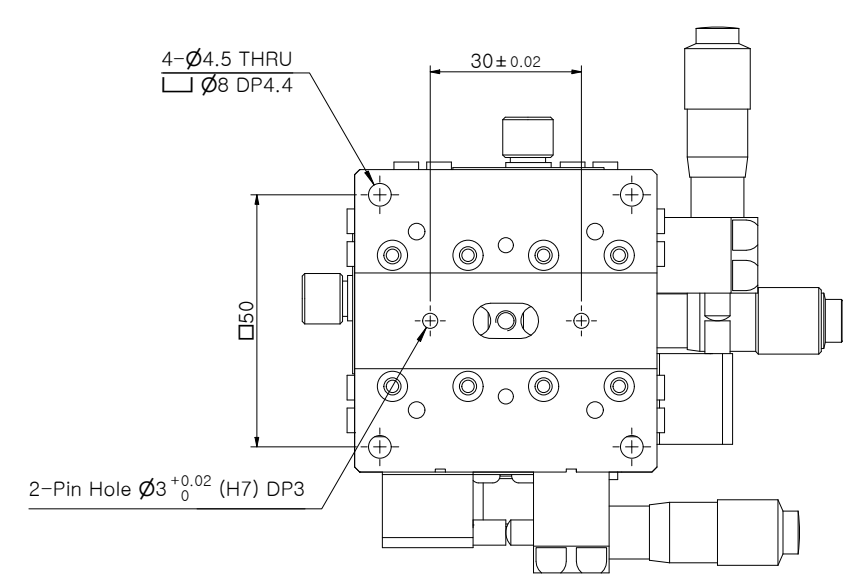
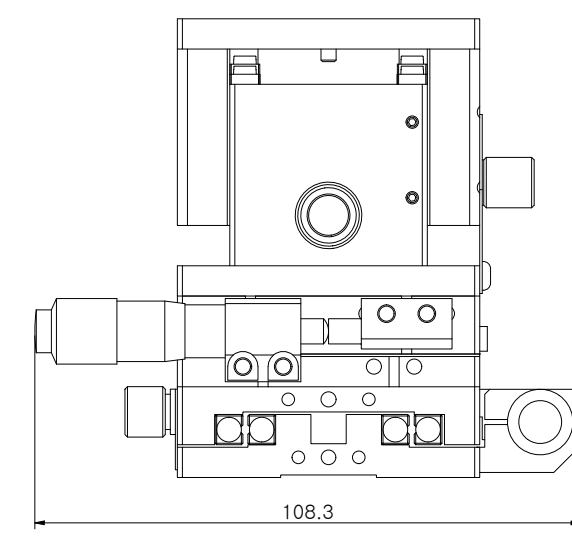
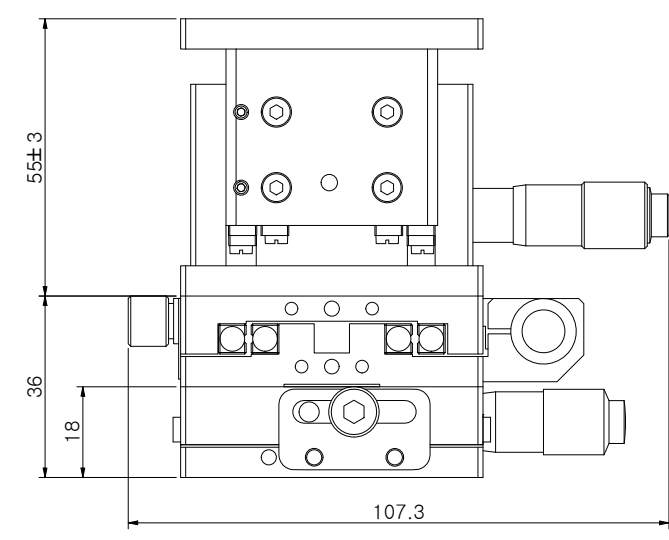
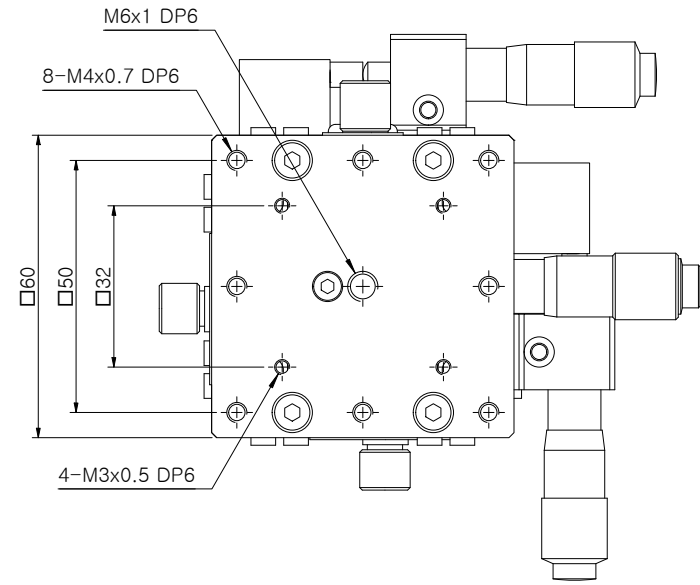
Axis	XYZ-Horizontal	-
Table size	60*60	[mm]
Travel Range	X,Y: ±6.5 / Z: ±3	[mm]
Mechanical Type	Micrometer Head	-
Resolution	0.01	[mm]
Guide Mechanism	Cross Roller Guide	-
Materials / Finish	Aluminium / Black Ano	-
Load Capacity	3	[kgf]
Product Weight	0.9	[kg]



UNIT	MM	JAEWON JAEWON.CO.,LTD.	TITLE	XYH-60-AMC-LL

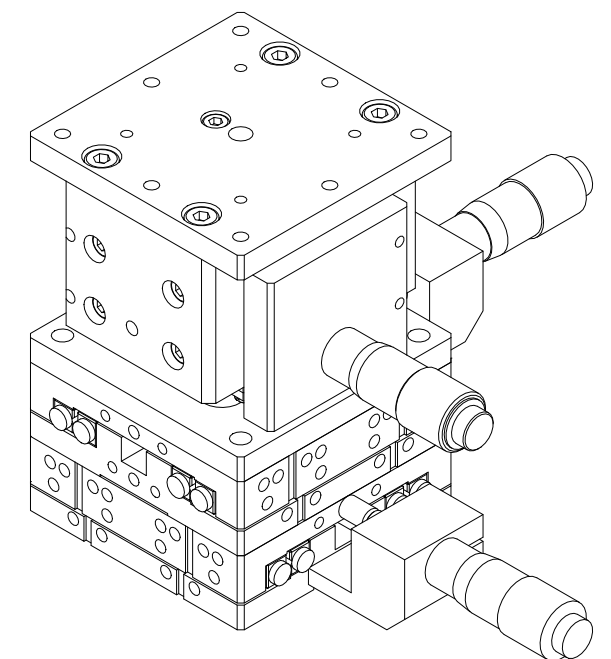
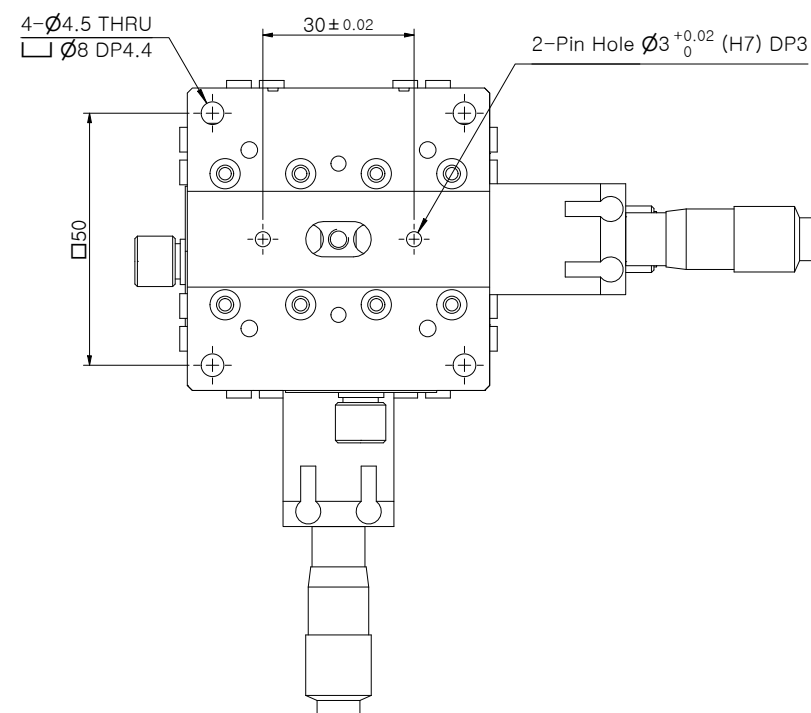
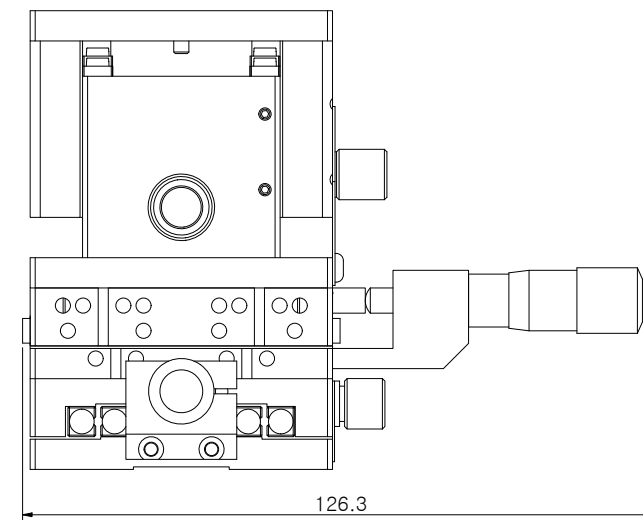
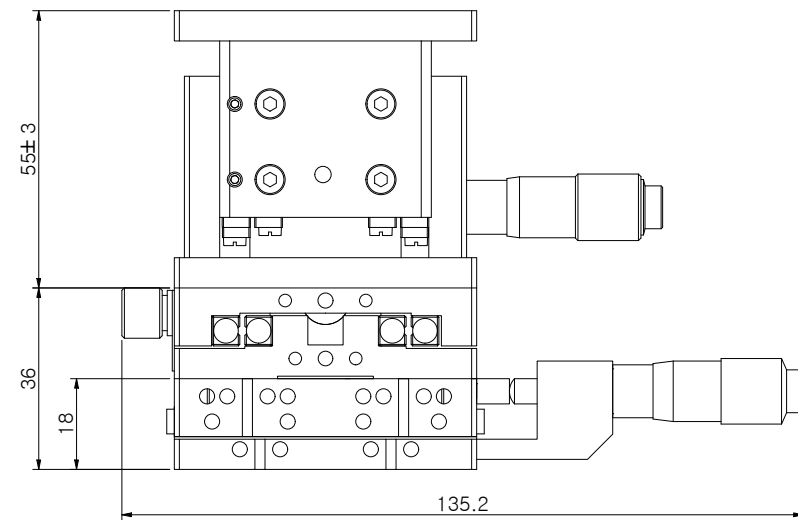
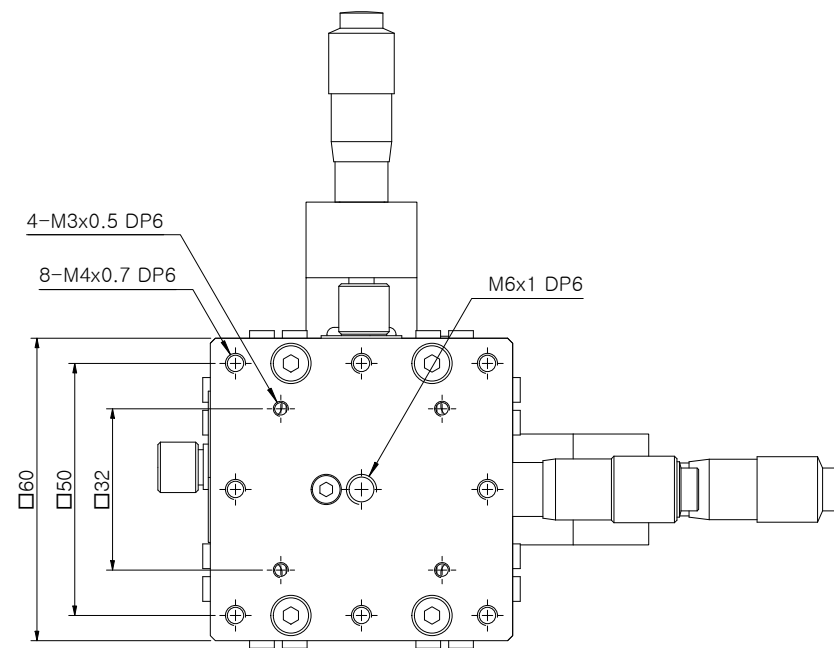
SPECIFICATION

Axis	XYZ-Horizontal	-
Table size	60*60	[mm]
Travel Range	X,Y: ±6.5 / Z: ±3	[mm]
Mechanical Type	Micrometer Head	-
Resolution	0.01	[mm]
Guide Mechanism	Cross Roller Guide	-
Materials / Finish	Aluminium / Black Ano	-
Load Capacity	3	[kgf]
Product Weight	0.9	[kg]



SPECIFICATION

Axis	XYZ-Horizontal	-
Table size	60*60	[mm]
Travel Range	X,Y: ±6.5 / Z: ±3	[mm]
Mechanical Type	Micrometer Head	-
Resolution	0.01	[mm]
Guide Mechanism	Cross Roller Guide	-
Materials / Finish	Aluminium / Black Ano	-
Load Capacity	3	[kgf]
Product Weight	0.9	[kg]



UNIT	MM	JAEWON JAEWON.CO.,LTD.	TITLE	XYH-60-AMC-CC