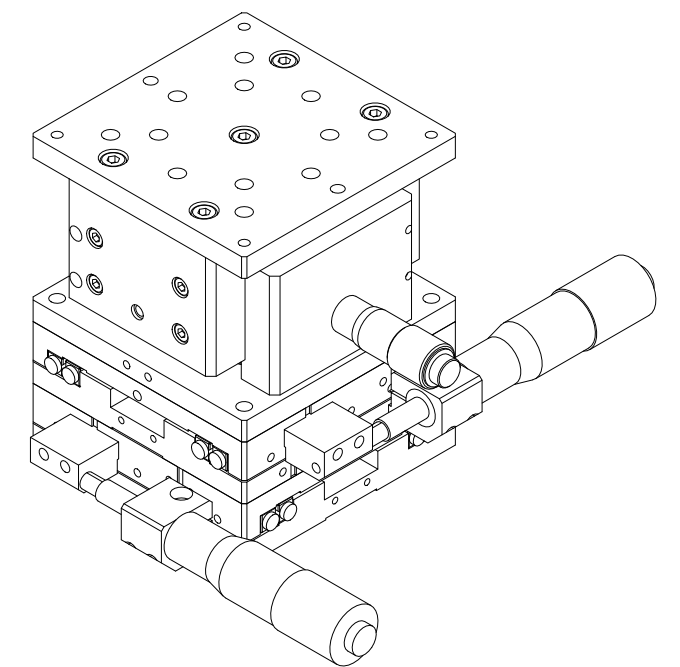
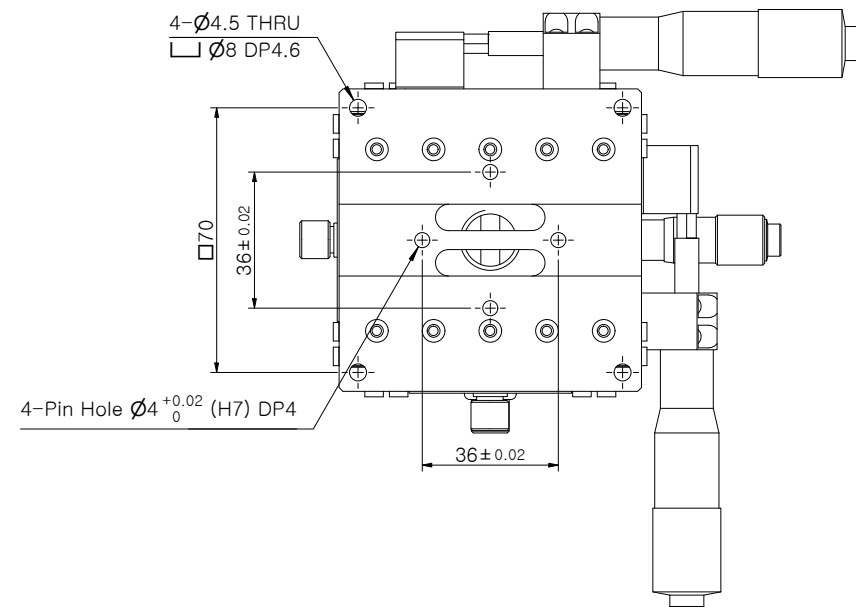
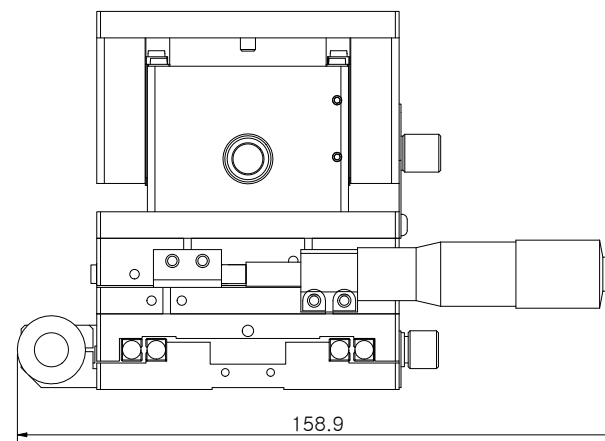
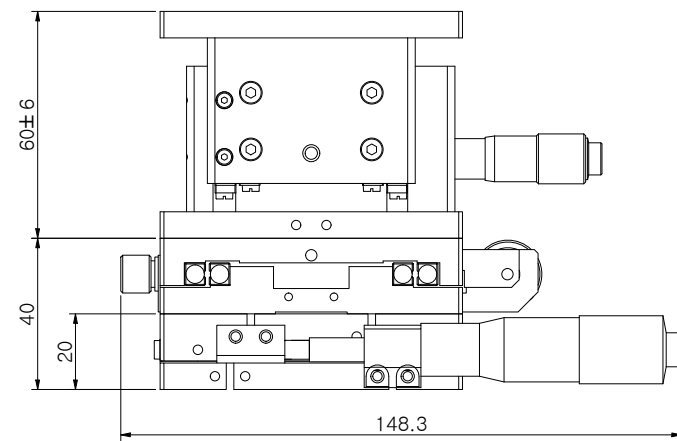
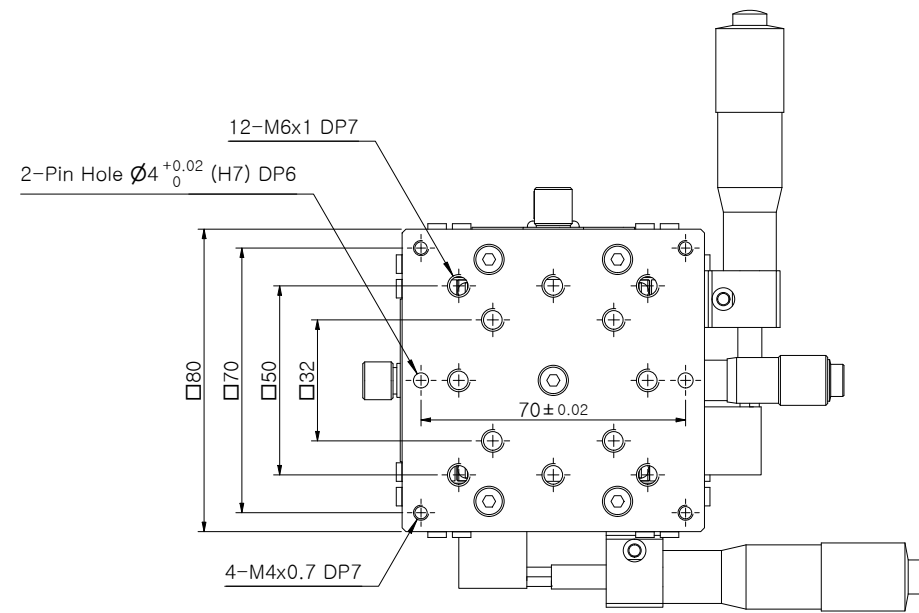


## SPECIFICATION

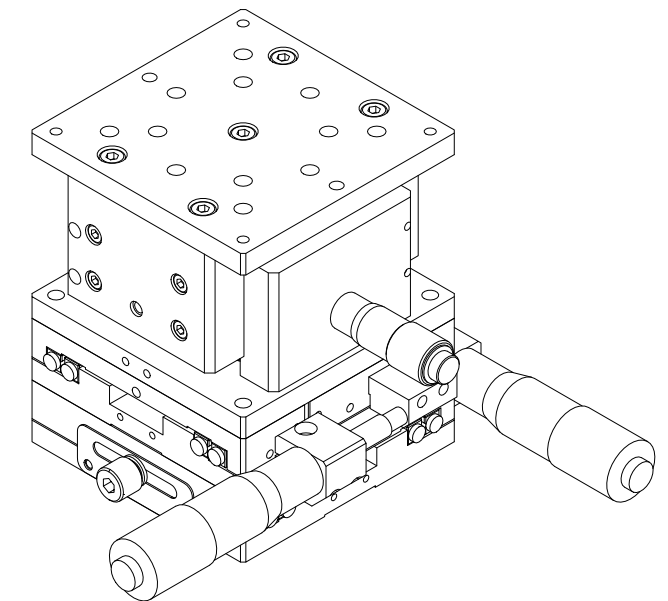
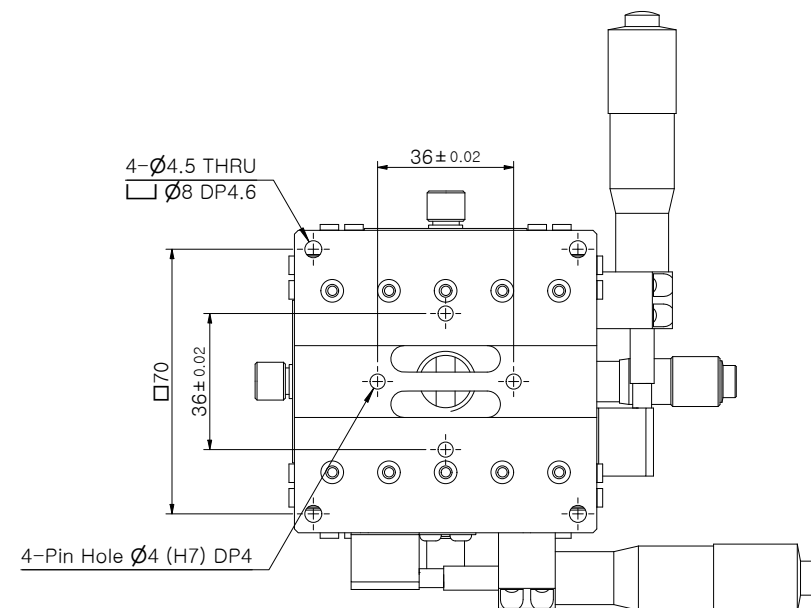
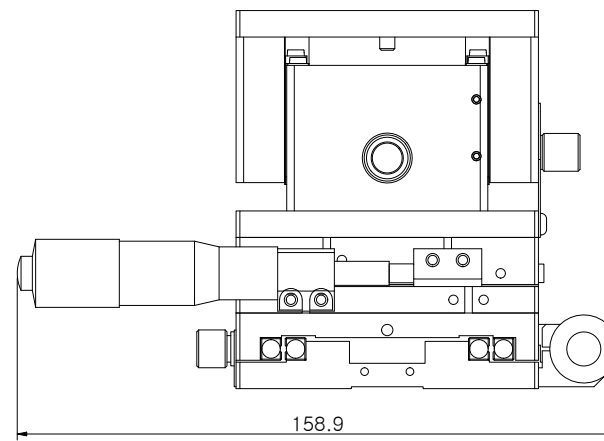
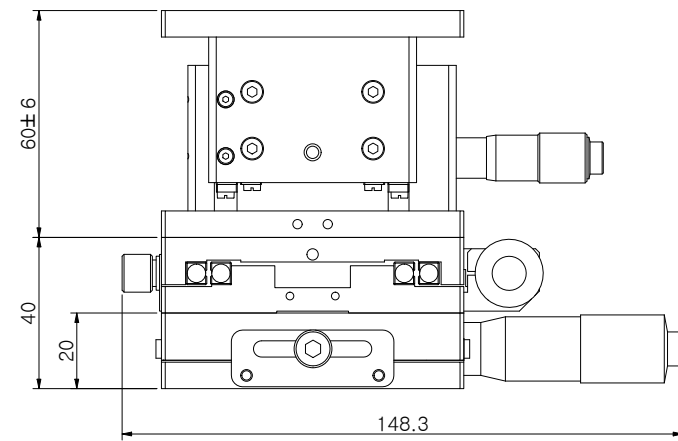
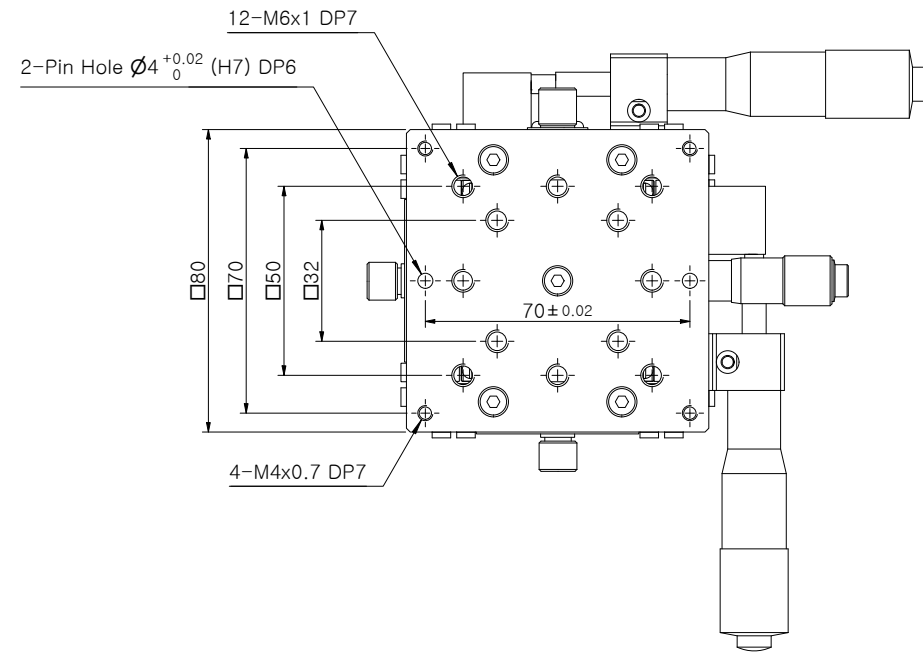
Axis	XYZ-Horizontal	-
Table size	80*80	[ mm ]
Travel Range	X,Y: ±12.5 / Z: ±6	[ mm ]
Mechanical Type	Micrometer Head	-
Resolution	0.01	[ mm ]
Guide Mechanism	Cross Roller Guide	-
Materials / Finish	Aluminium / Black Ano	-
Load Capacity	4	[ kgf ]
Product Weight	1.2	[ kg ]



UNIT	MM	<b>JAEWON</b> JAEWON.CO.,LTD.	TITLE	XYH-80-AMC-LL

## SPECIFICATION

Axis	XYZ-Horizontal	-
Table size	80*80	[ mm ]
Travel Range	X,Y: ±12.5 / Z: ±6	[ mm ]
Mechanical Type	Micrometer Head	-
Resolution	0.01	[ mm ]
Guide Mechanism	Cross Roller Guide	-
Materials / Finish	Aluminium / Black Ano	-
Load Capacity	4	[ kgf ]
Product Weight	1.2	[ kg ]



UNIT	MM	<b>JAEWON</b> JAEWON.CO.,LTD.	TITLE	XYH-80-AMC-RR

## SPECIFICATION

Axis	XYZ-Horizontal	-
Table size	80*80	[ mm ]
Travel Range	X,Y: ±12.5 / Z: ±6	[ mm ]
Mechanical Type	Micrometer Head	-
Resolution	0.01	[ mm ]
Guide Mechanism	Cross Roller Guide	-
Materials / Finish	Aluminium / Black Ano	-
Load Capacity	4	[ kgf ]
Product Weight	1.2	[ kg ]

